

Table with columns: QTY, DESIG., PART NO., DESCRIPTION. Lists parts for the control section including dial plates, contactors, and terminal strips.

- Notes section containing safety and installation instructions. Includes warnings about high voltage, jumper usage for different VAC operations, and specific instructions for pilot operation and valve output.

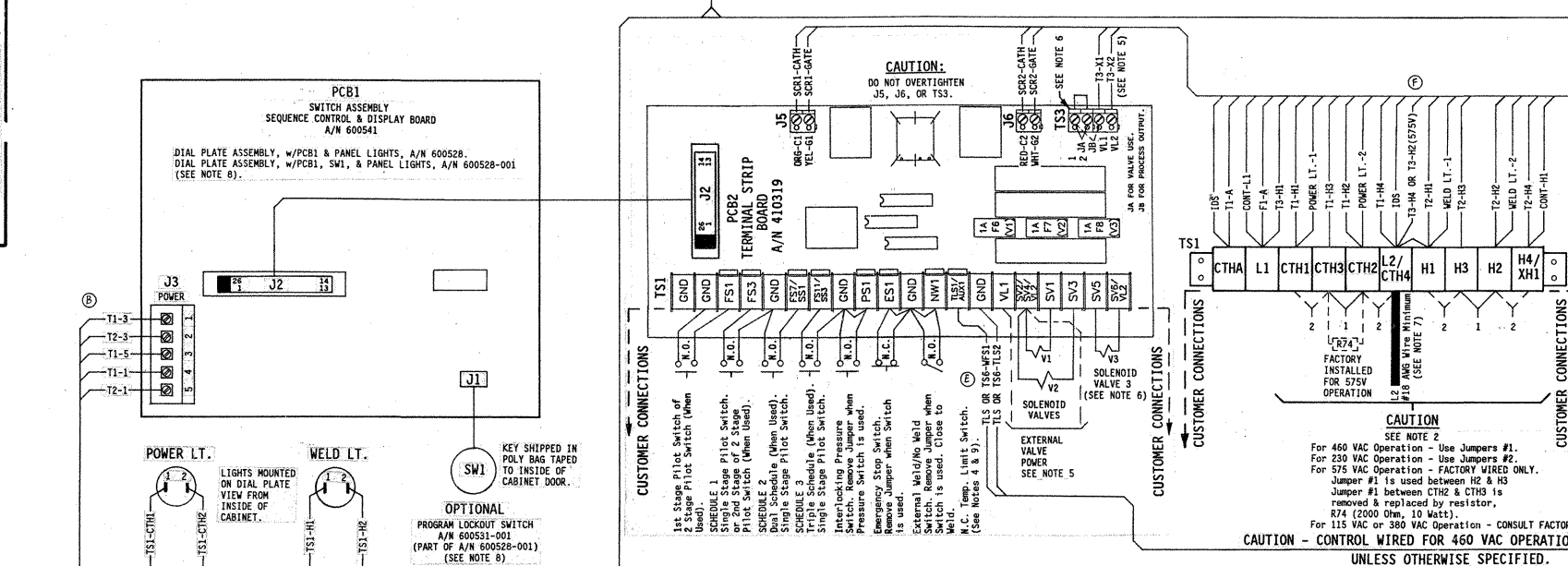
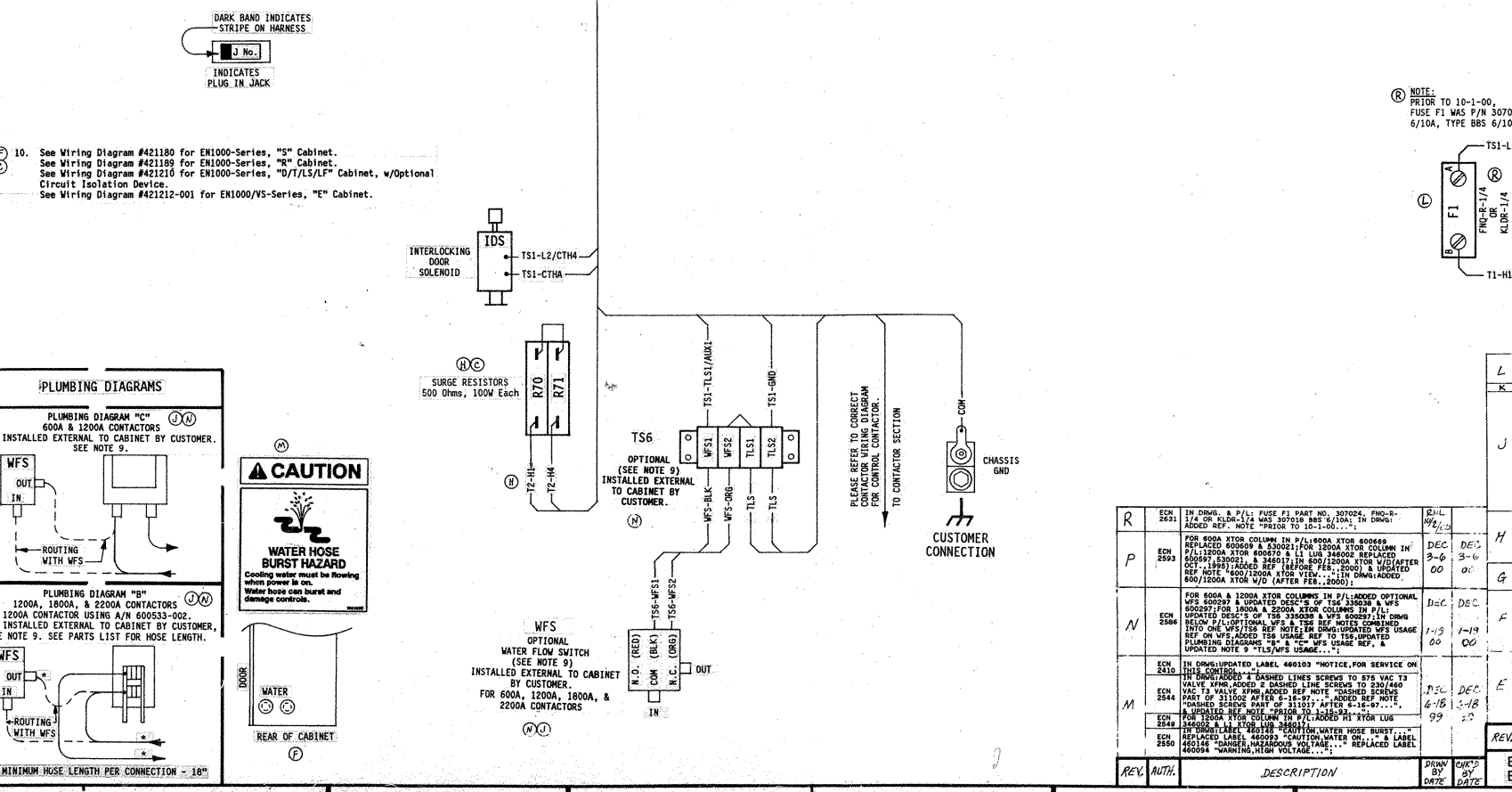
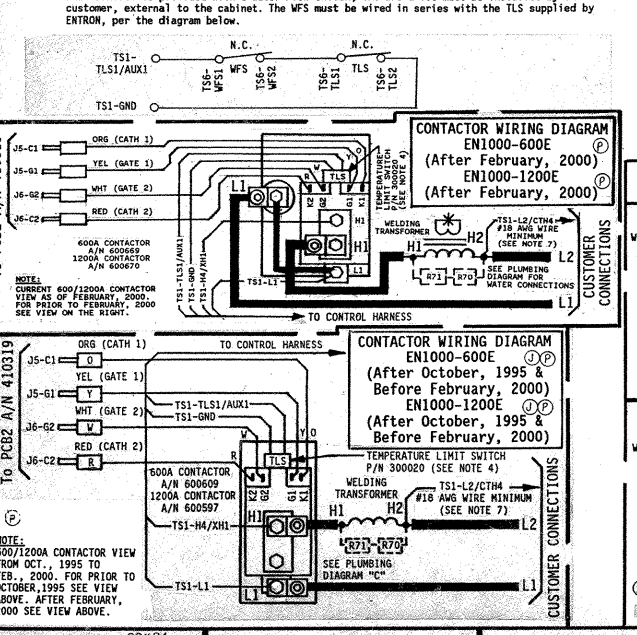


Table with columns: QTY, DESIG., PART NO., DESCRIPTION. Lists parts for the contactor section including terminal strips, resistors, transformers, and fuses.



Main parts list table with columns: QTY, DESIG., PART NO., DESCRIPTION. Lists all components for the EN1000-series control and contactor sections.

Revision and manufacturing information table. Includes columns for revision, description, date, and drawing number. Also contains ENTRON Controls Inc. logo and contact information.