

Table with 4 columns: QTY, DESIG, PART NO, DESCRIPTION. Lists parts for EN1001-600D,T and EN1001-1200D,T.

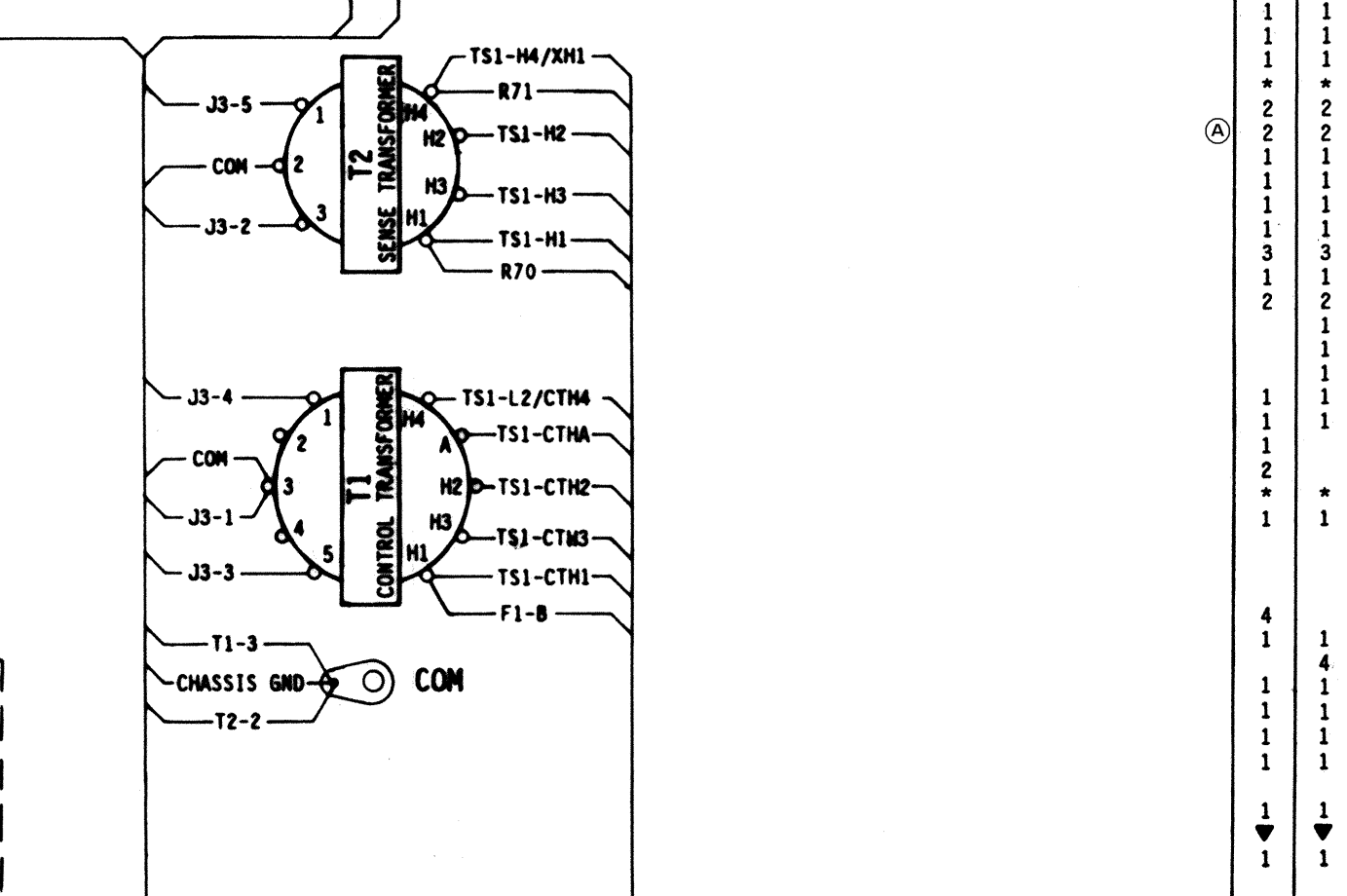
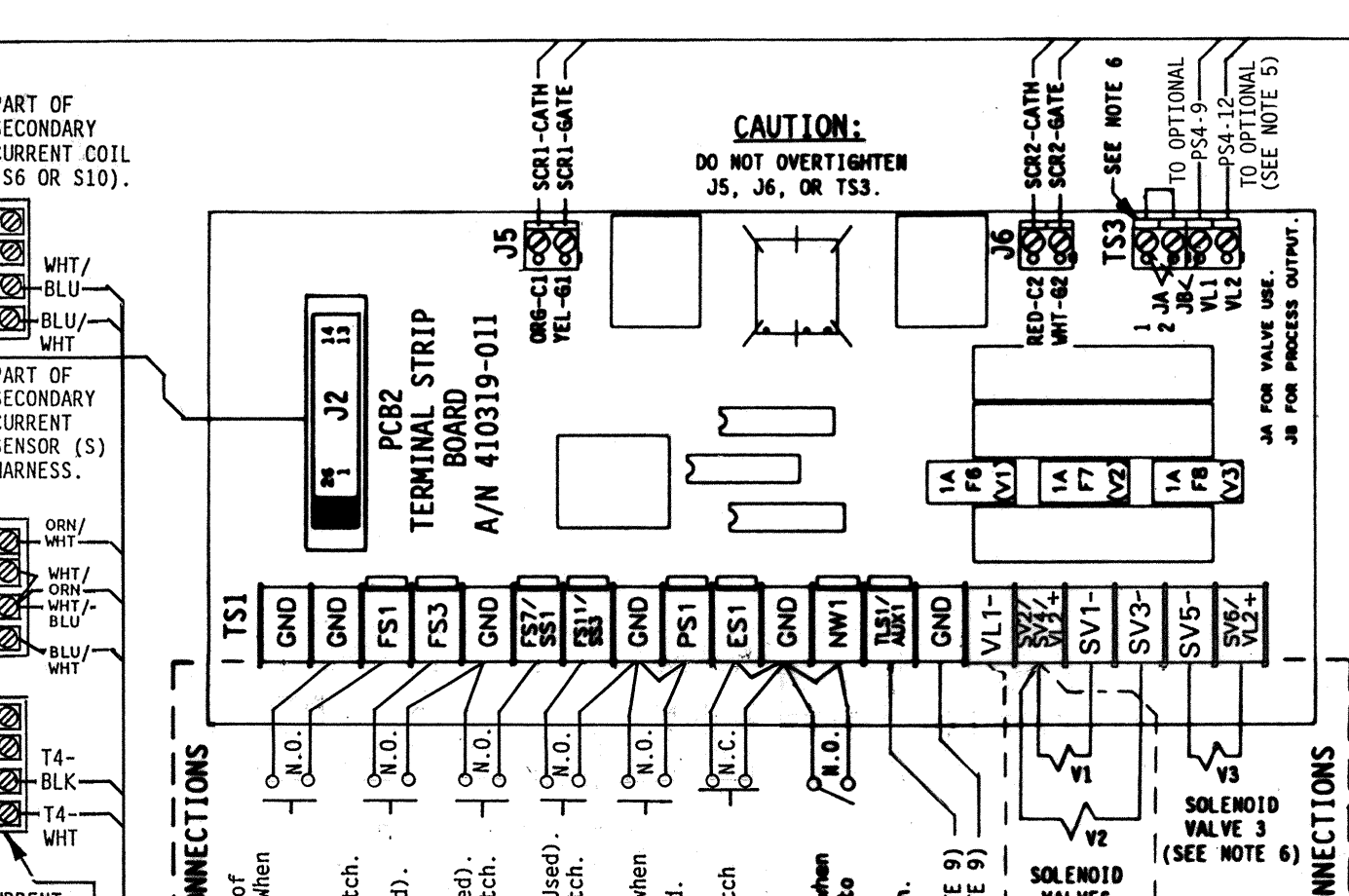
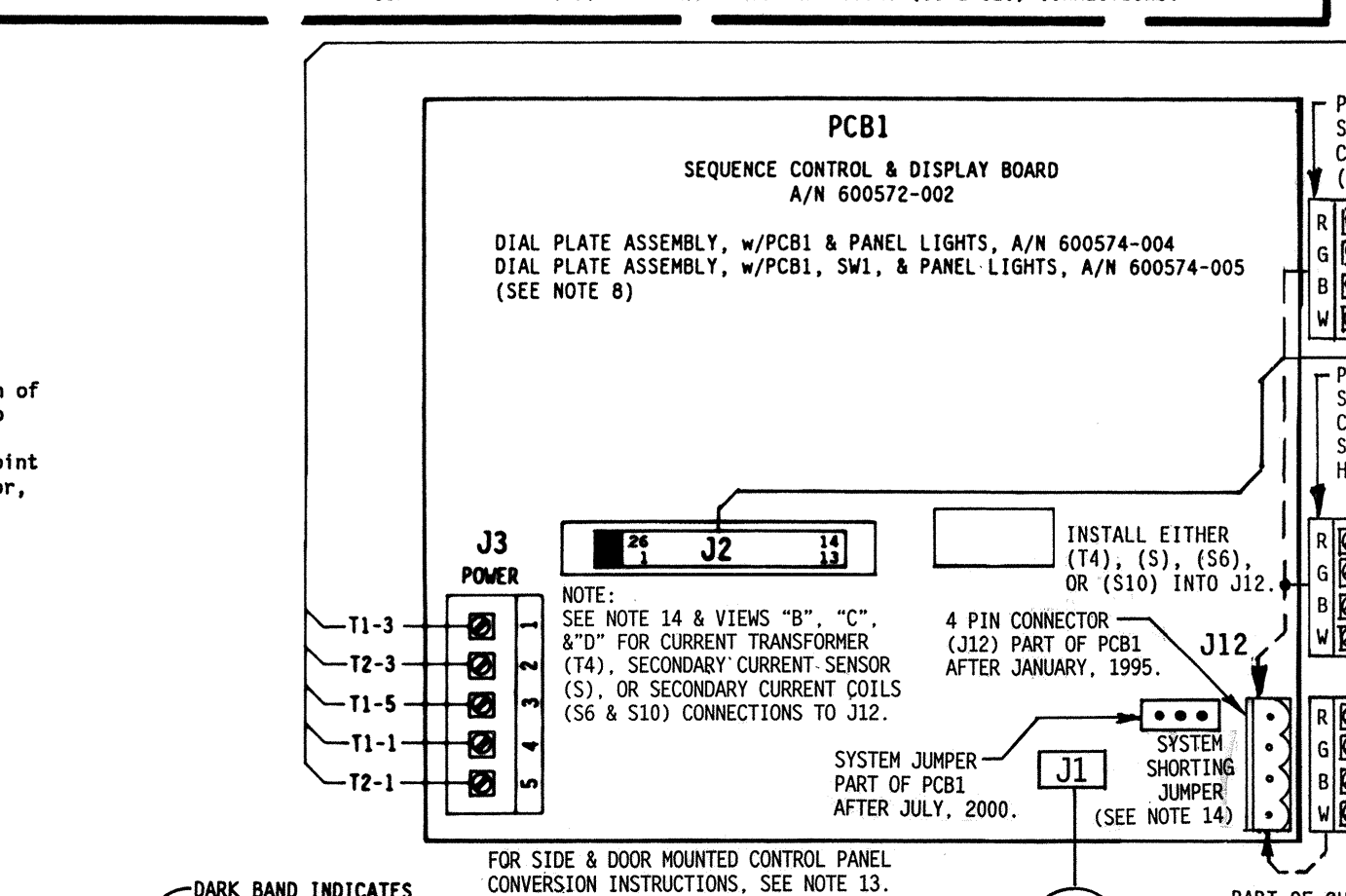
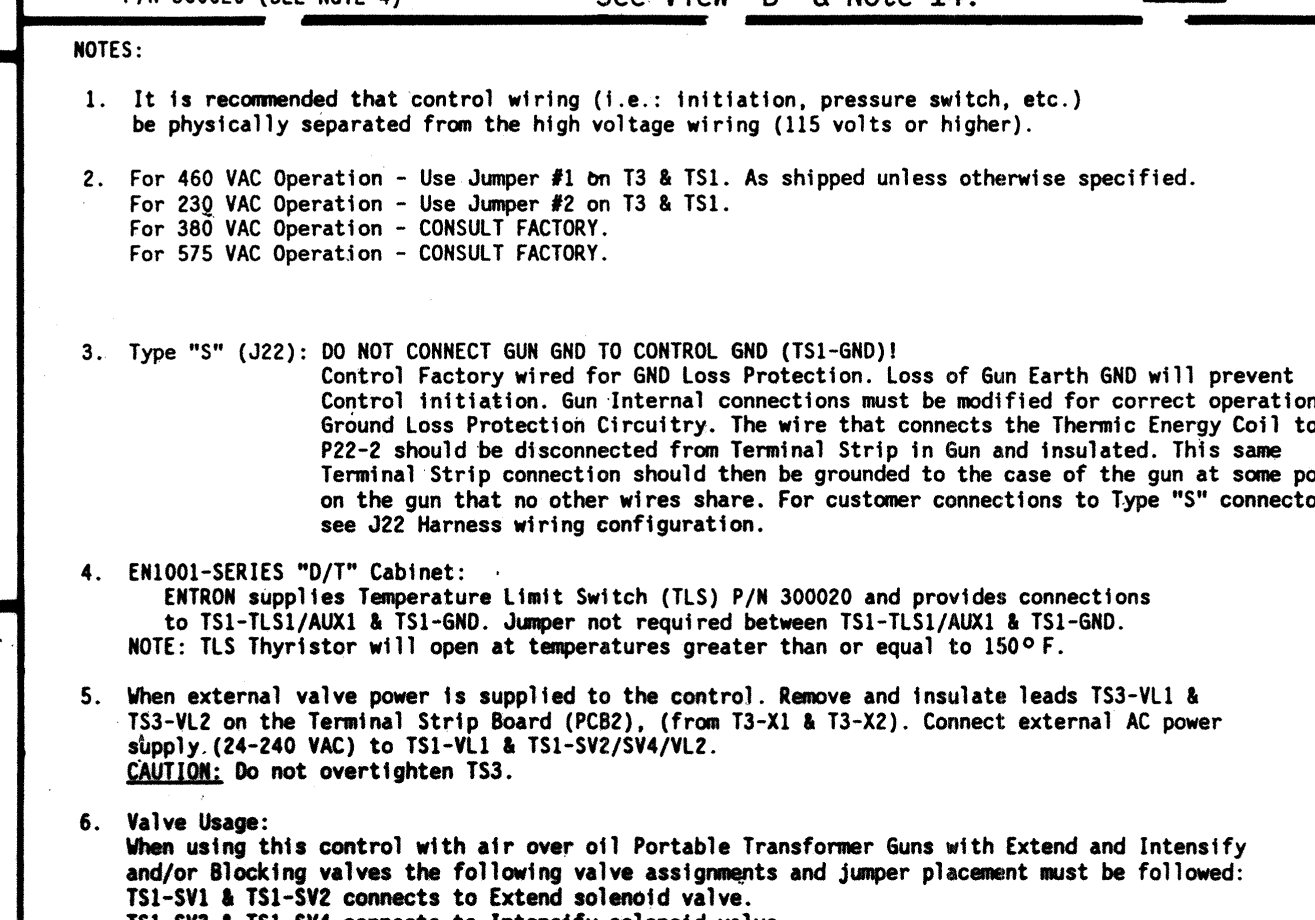


Table with 4 columns: QTY, DESIG, PART NO, DESCRIPTION. Lists parts for EN1001-1200D,T and EN1001-600D,T.

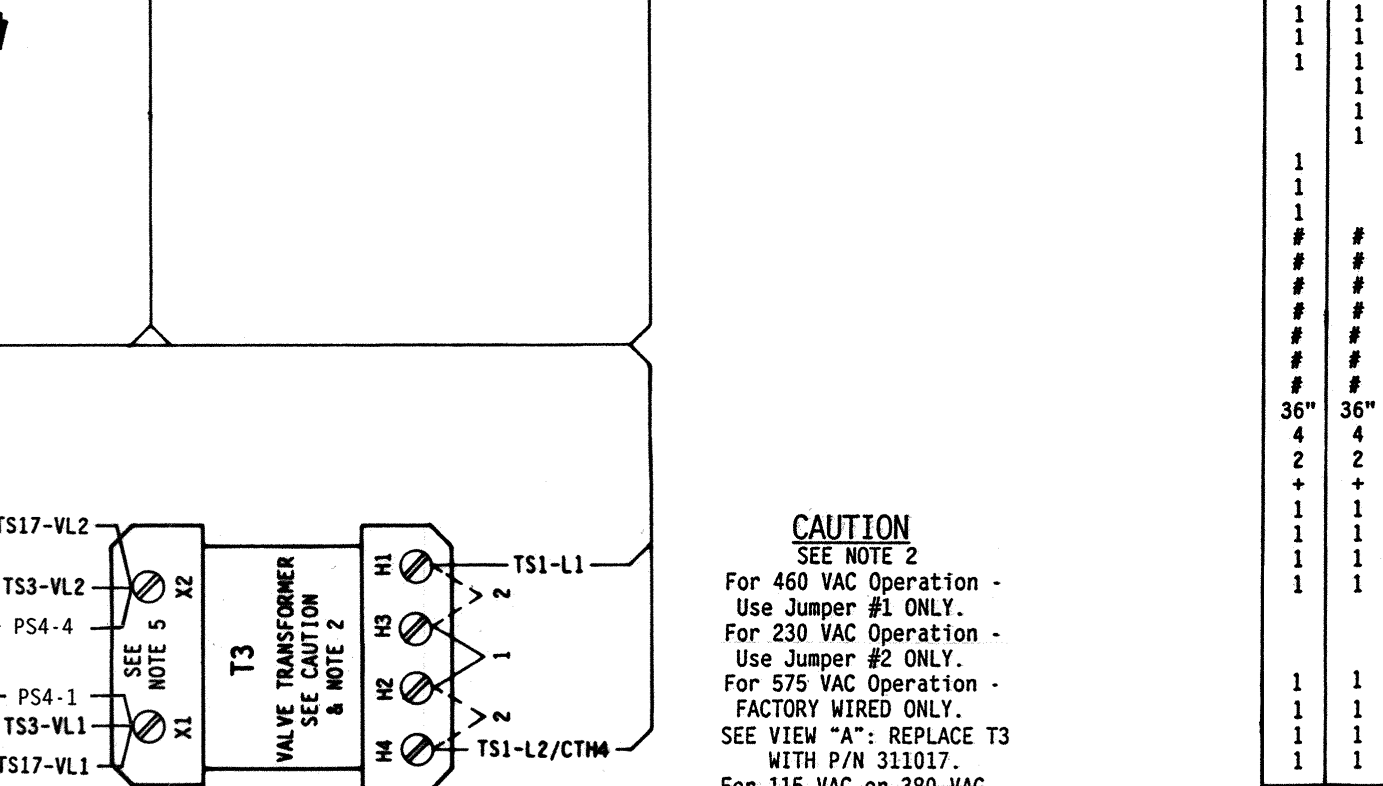
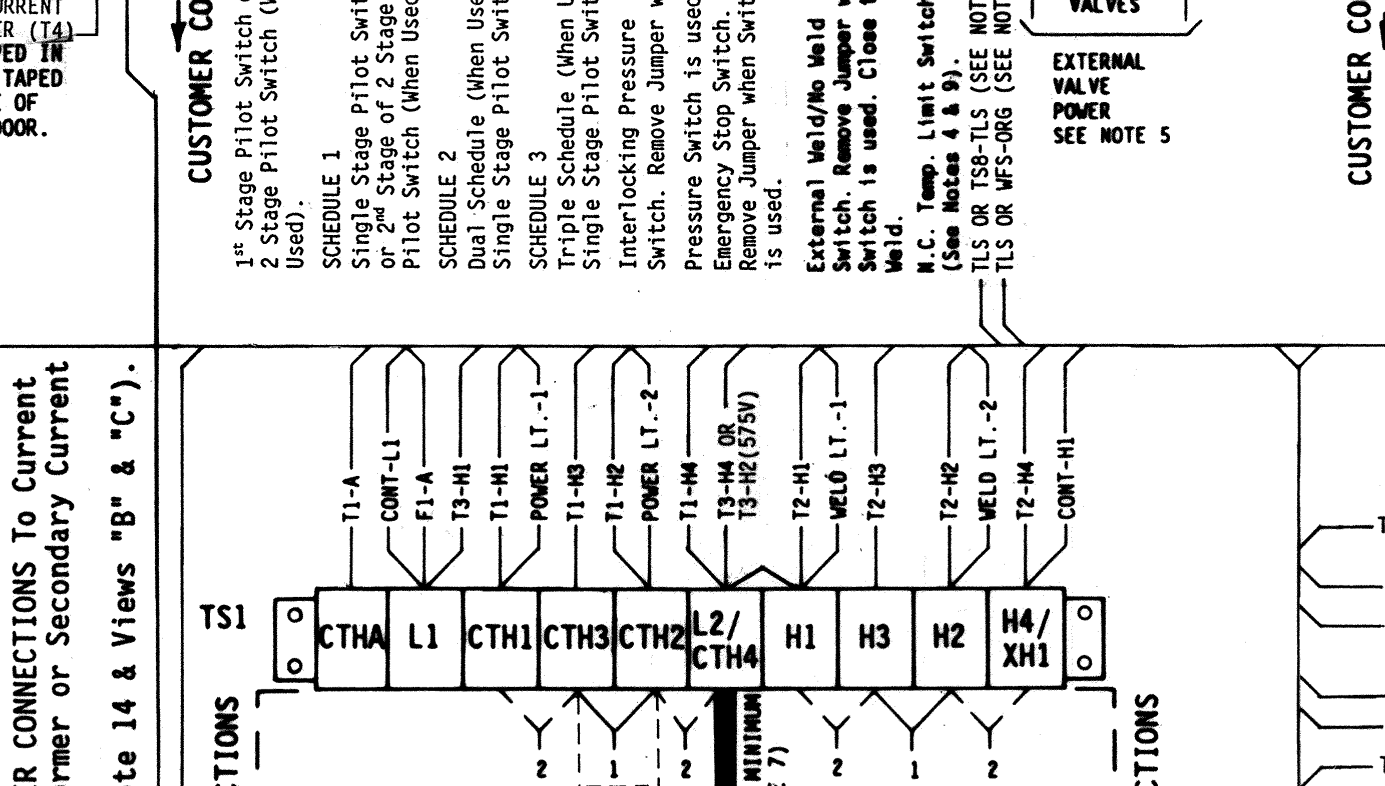
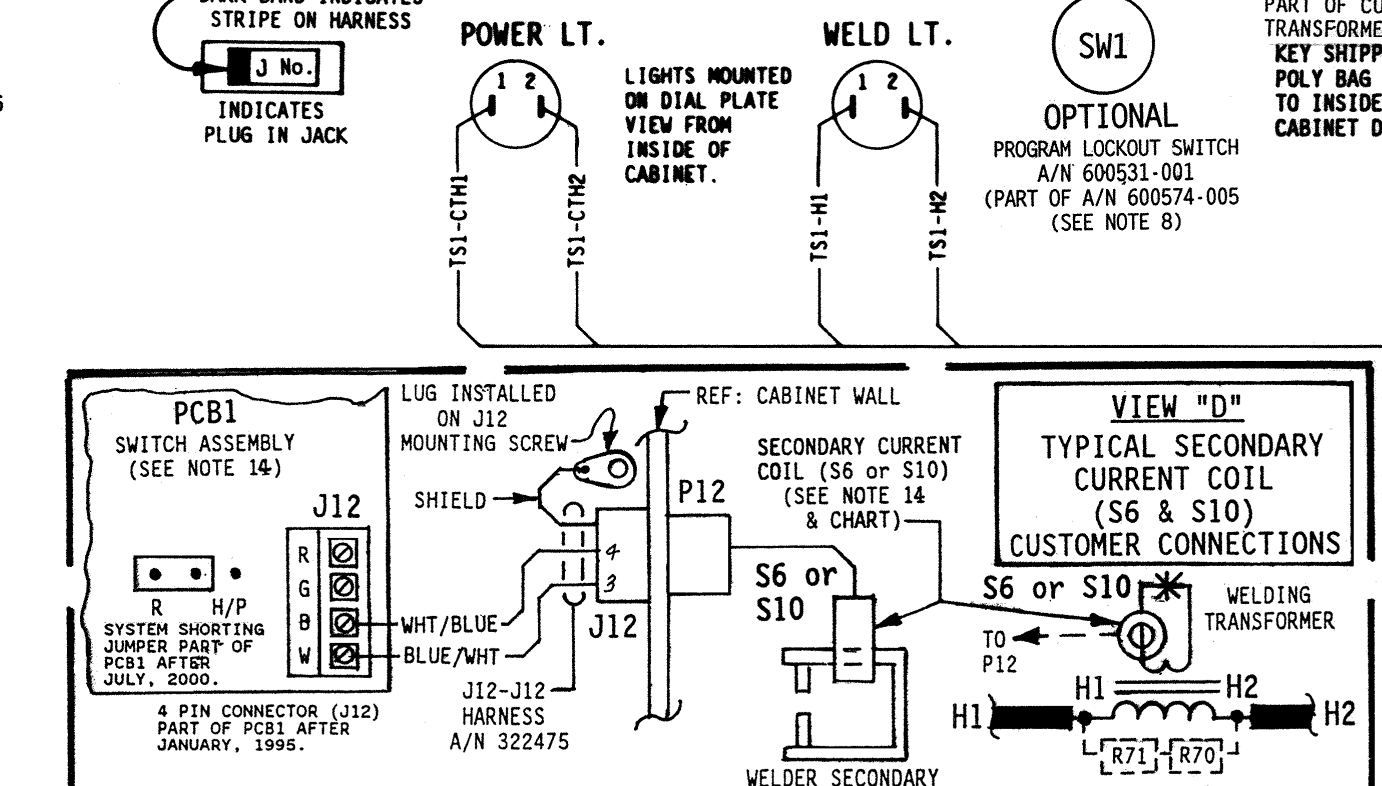
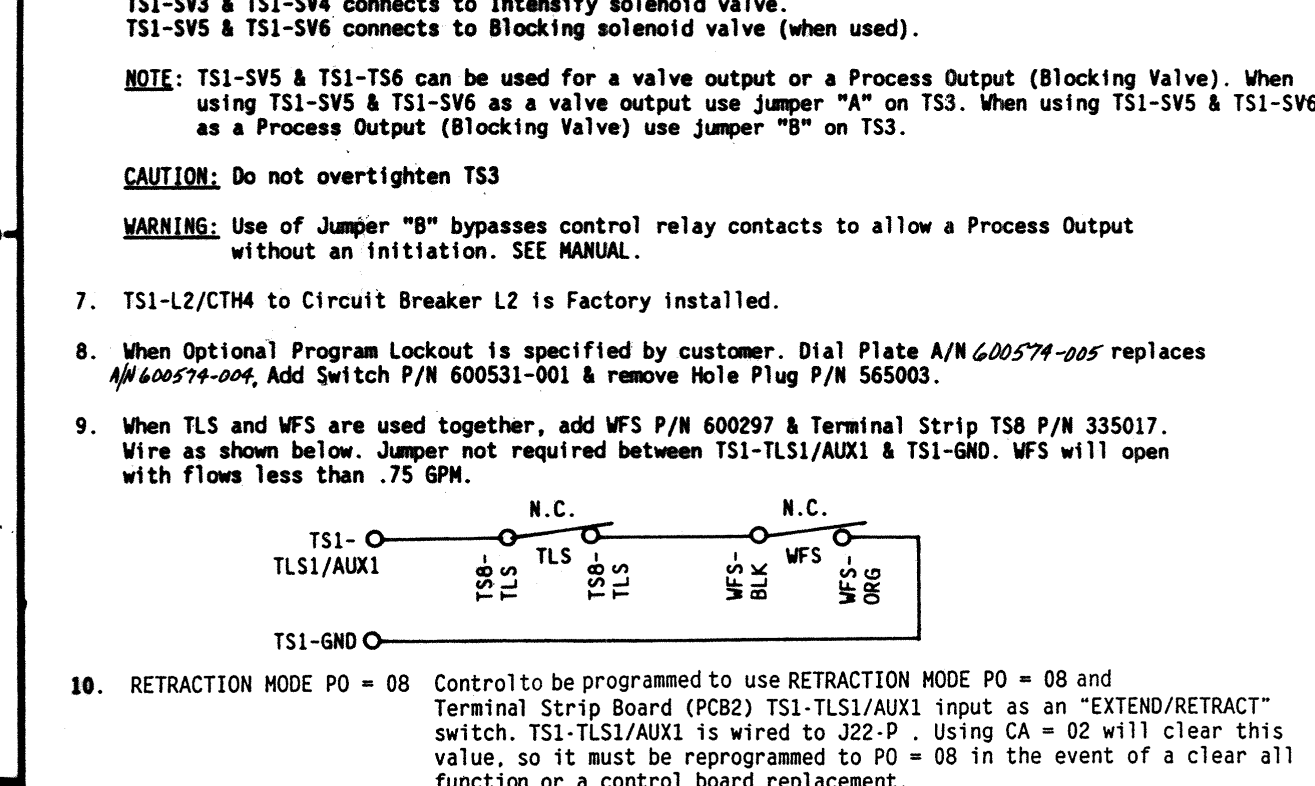


Table with 4 columns: QTY, DESIG, PART NO, DESCRIPTION. Lists parts for EN1001-600D,T and EN1001-1200D,T.

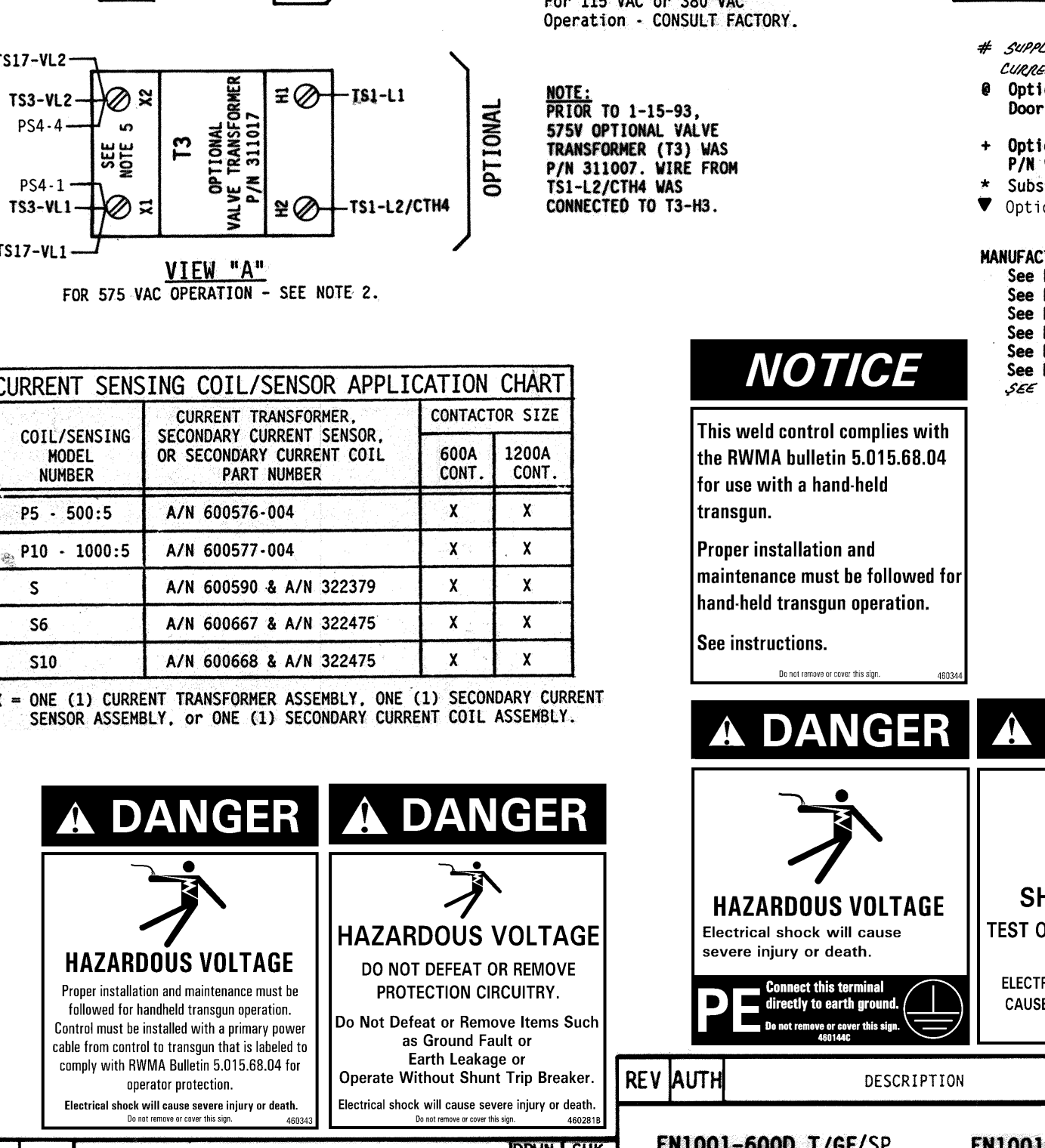
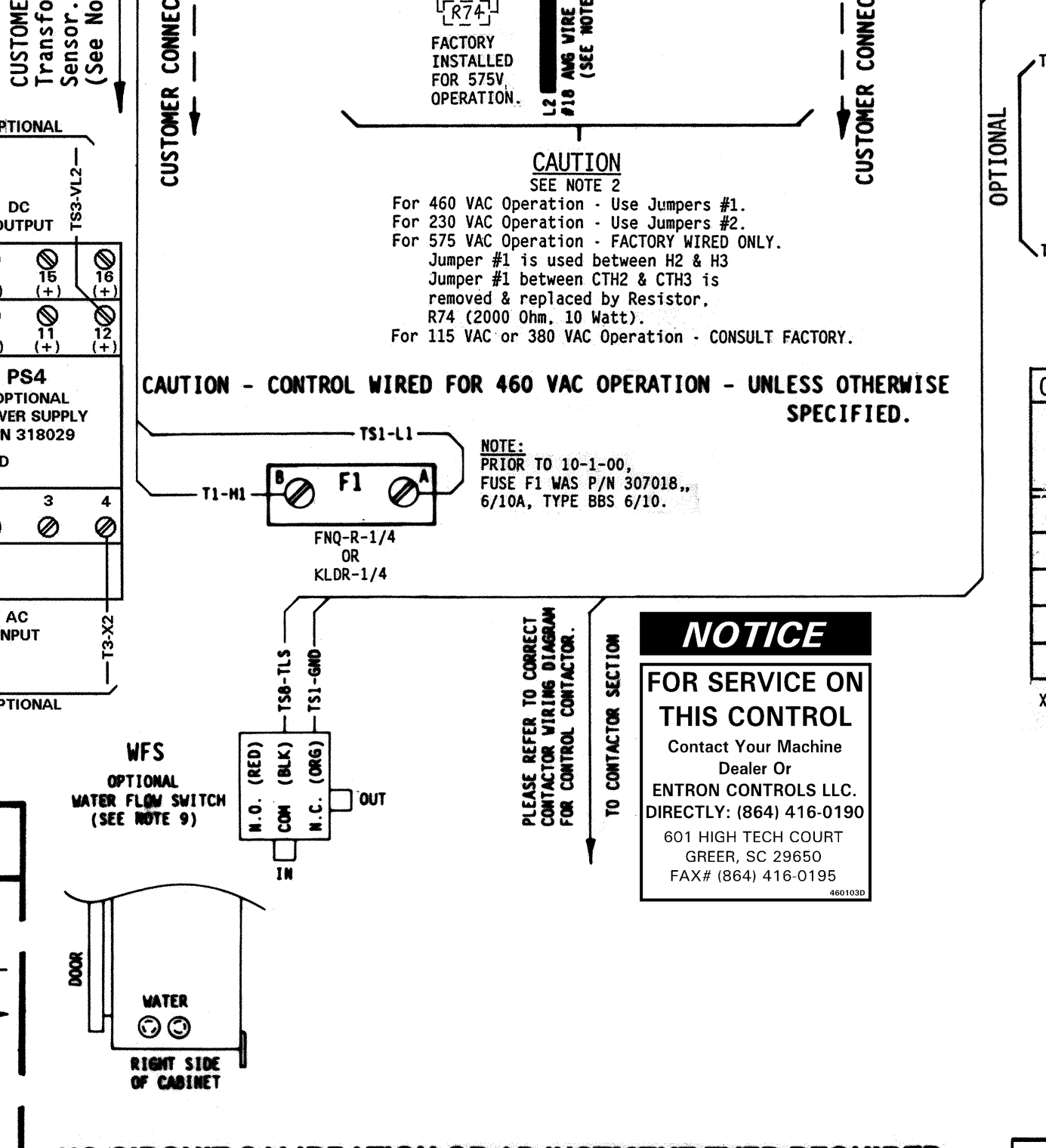
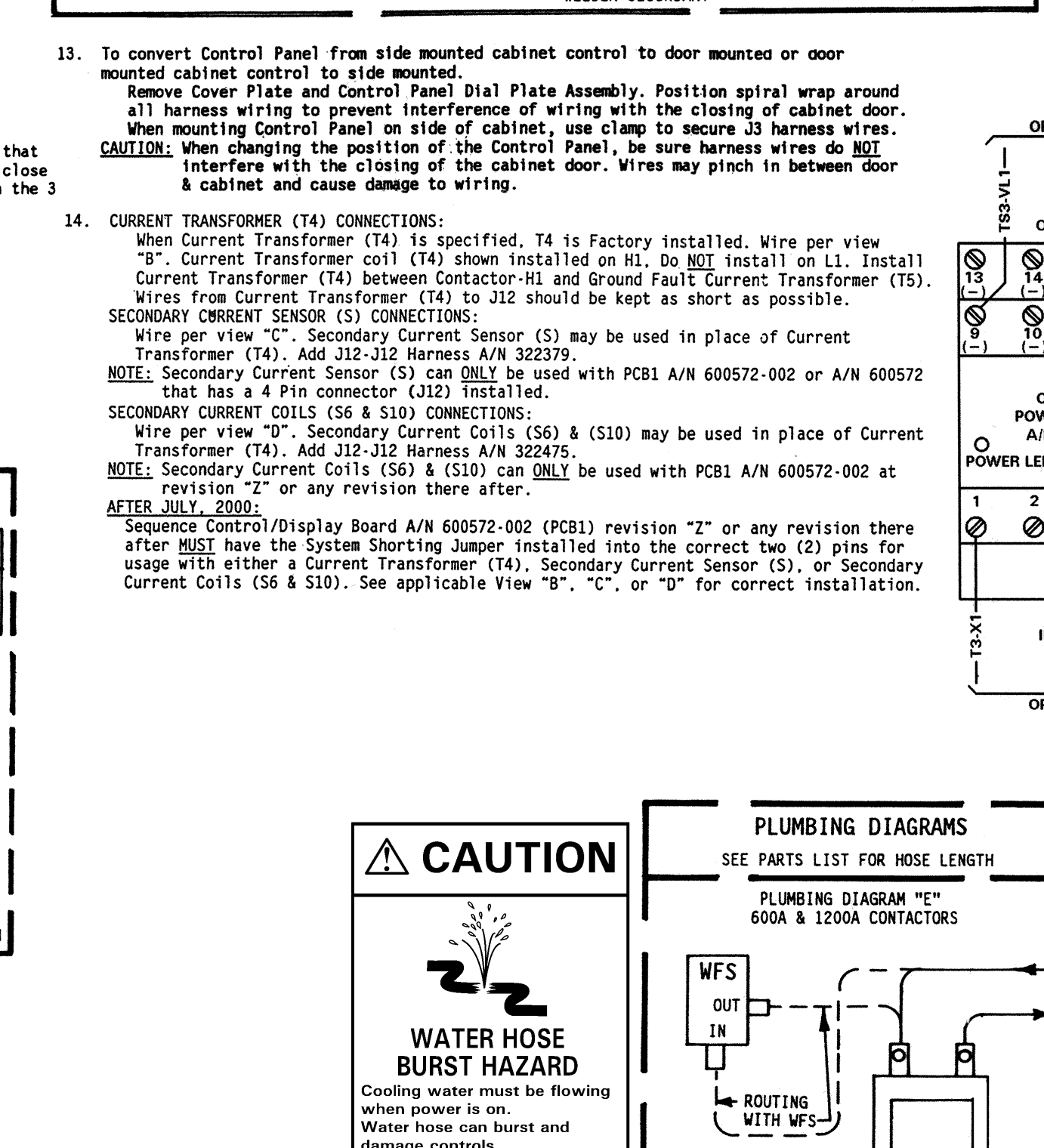
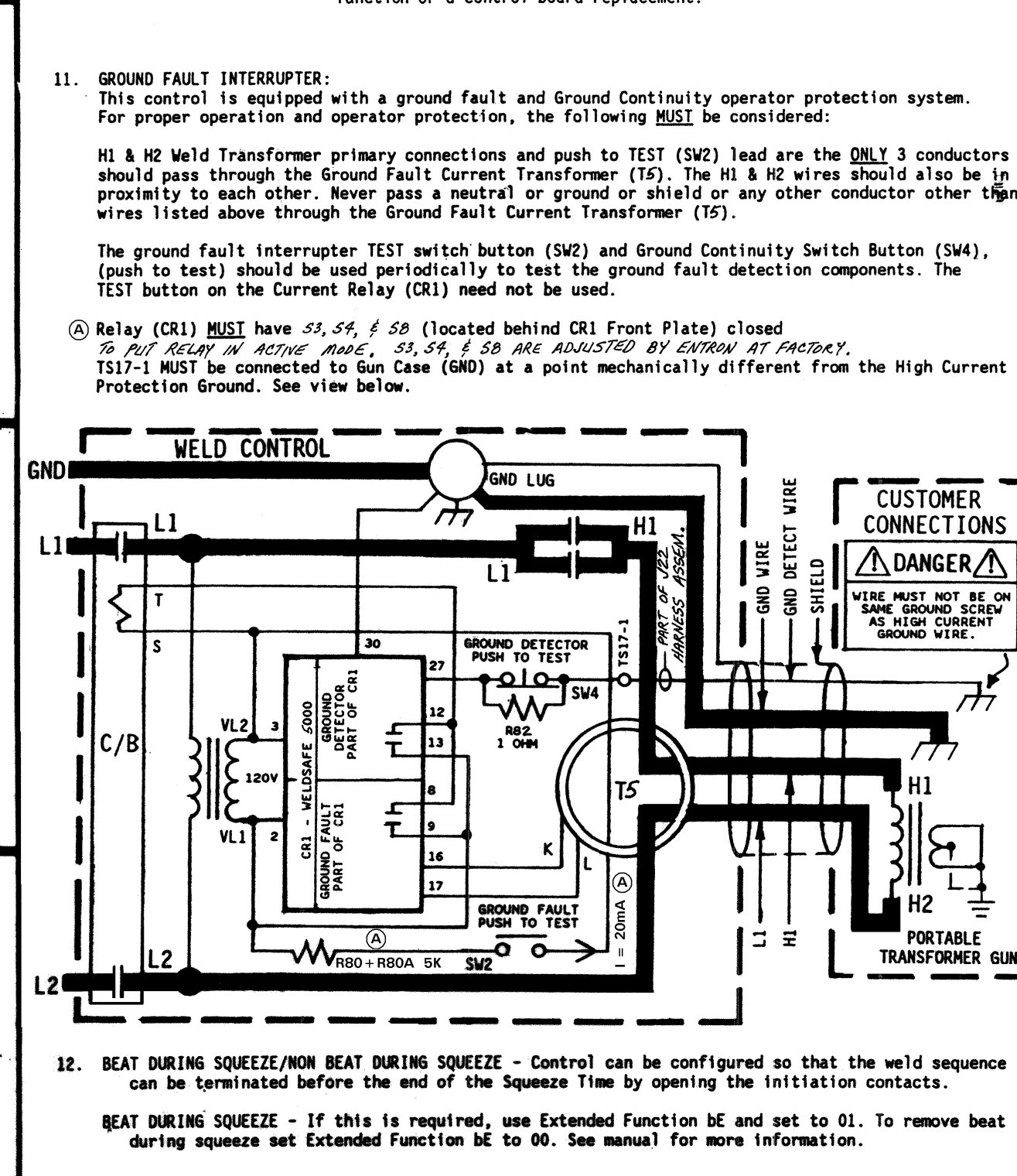


Table with 4 columns: QTY, DESIG, PART NO, DESCRIPTION. Lists parts for EN1001-600D,T and EN1001-1200D,T.