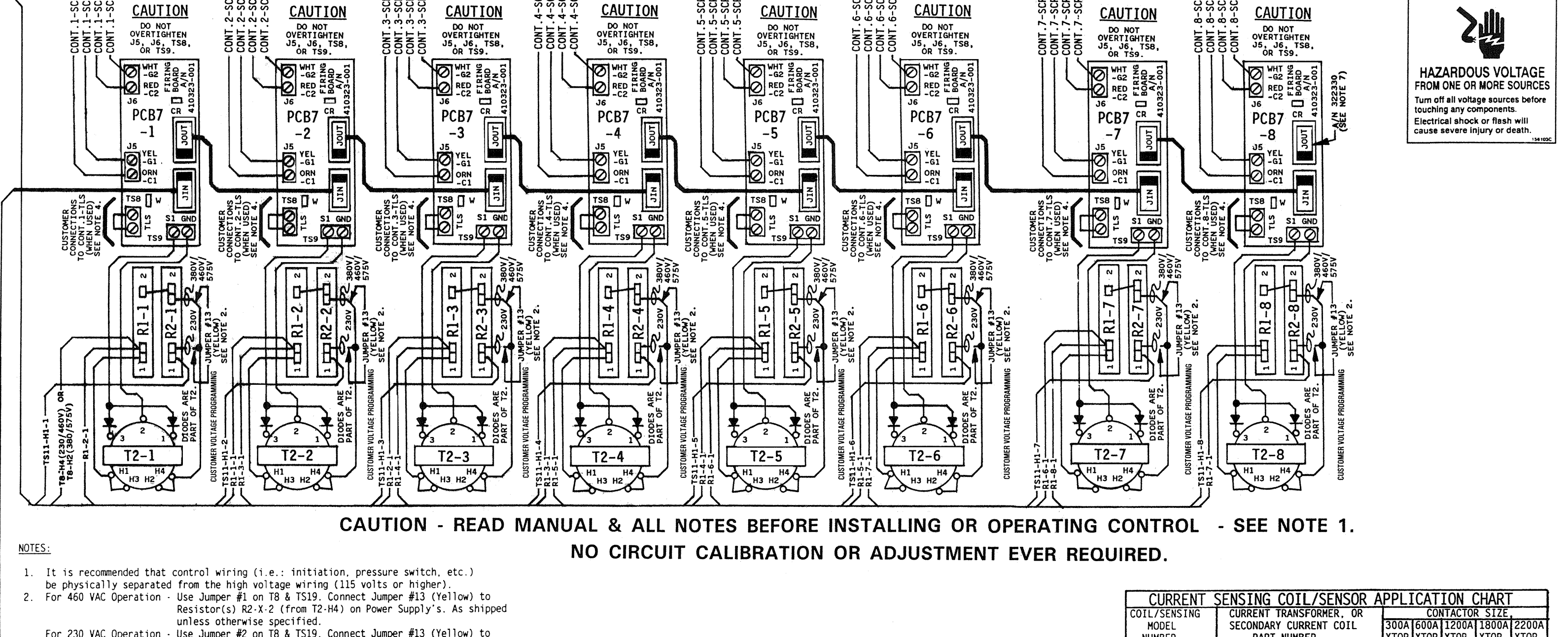
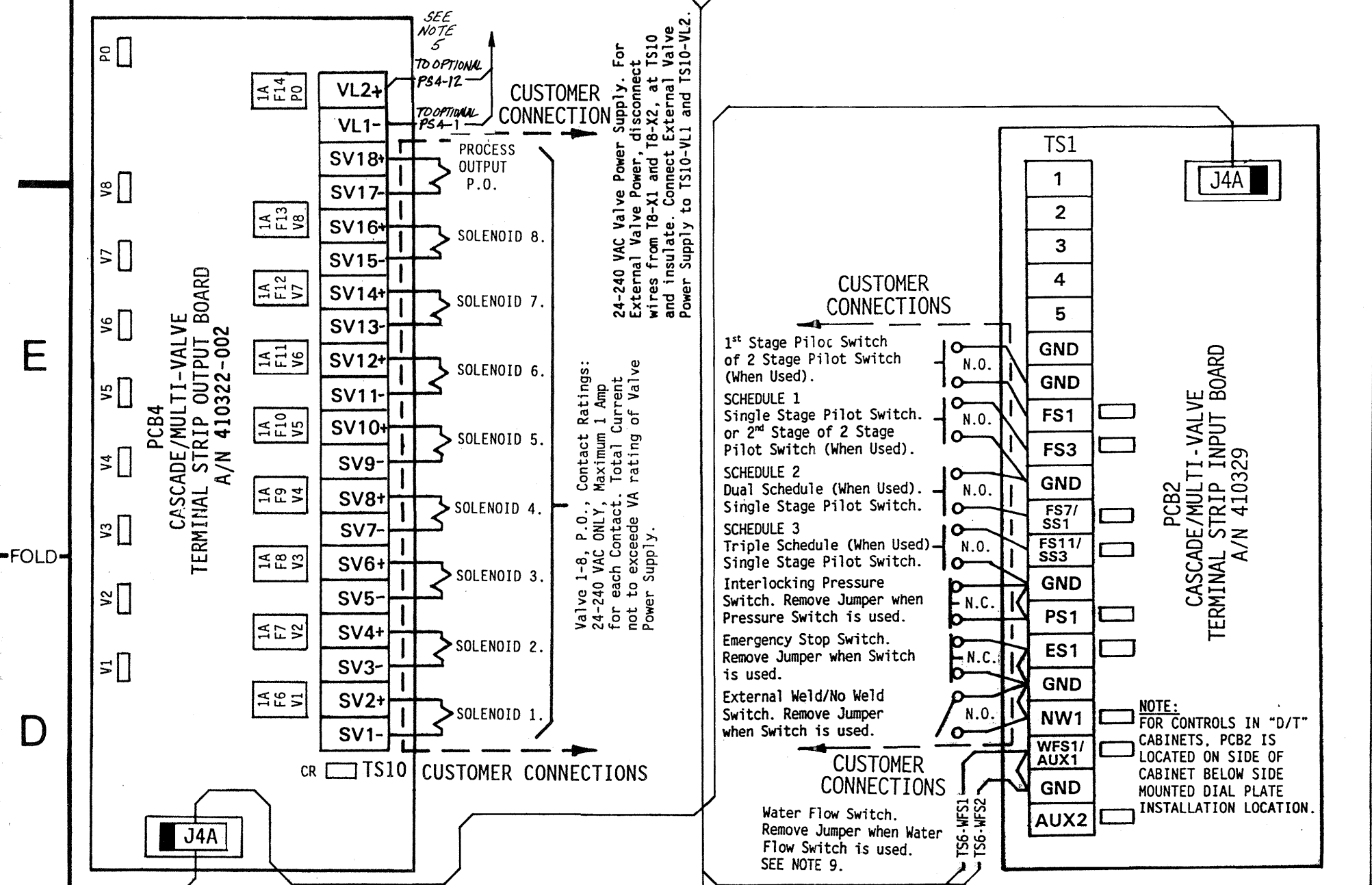
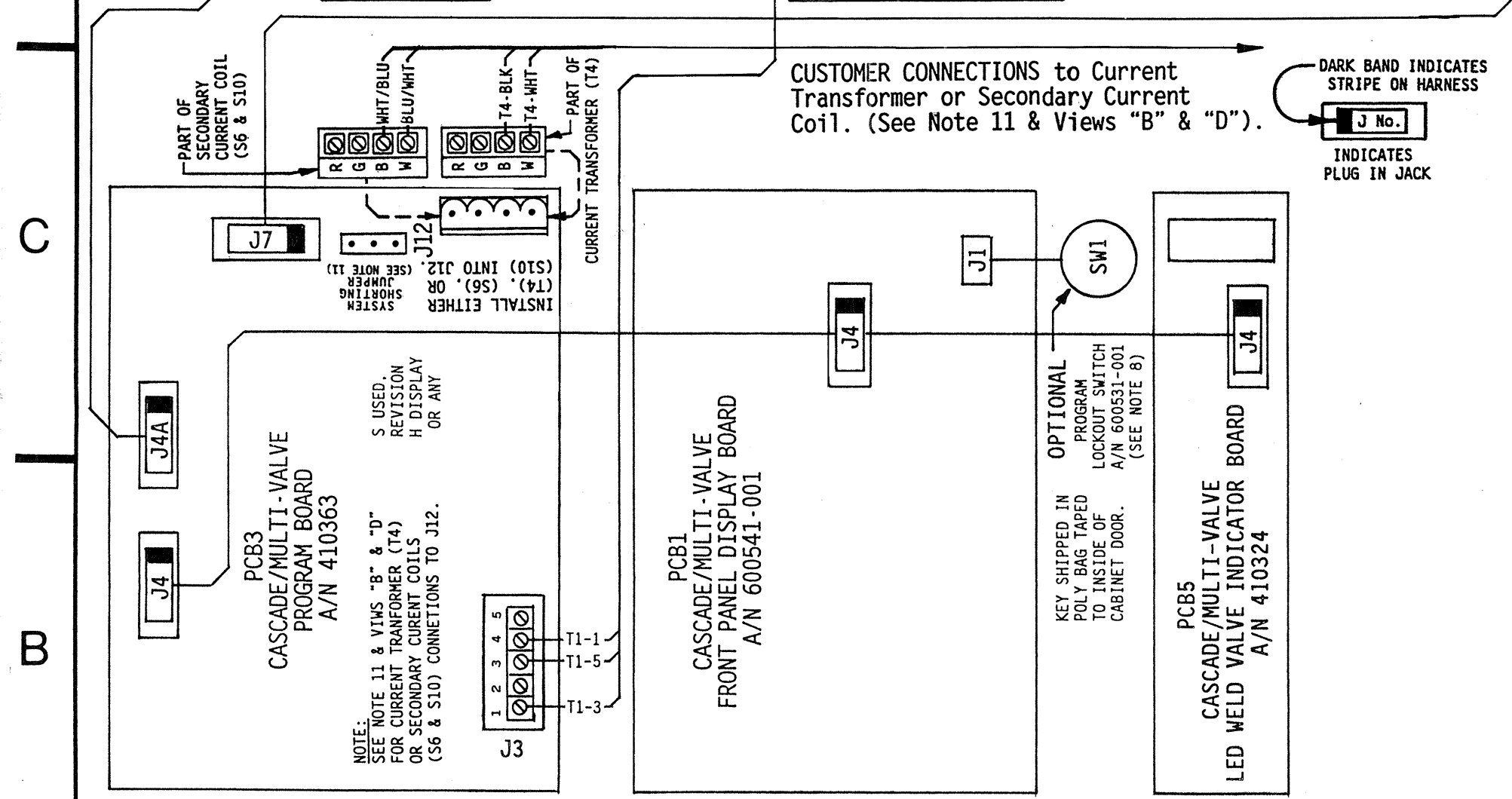


CAUTION
WATER HOSE BURST HAZARD
Cooling water must be flowing when power is on. Water hose can burst and damage controls.

QTY.	DESIG.	PART NO.	DESCRIPTION
1	1	PCB1	Assem., Dial Plate, EN1001 Cascade, Consisting of: 600541-001 Assem., Switch, Front Panel Display Board, 510298 Illustrated Panel, Dial Plate, EN1001 Cascade/Multi-Valve Display Window, Panel, Red Filter, Cont. & Valve, EN1001 Cascade Display Window, Panel, Red Filter, L.E.D. EN1001 Cascade Assem., PCB, Contactor Weld & Valve Indicator Board, EN1001 Casc.
1	1	PCB3	Assem., PCB, Program Board, EN1001 Cascade/Multi-Valve Assem., Switch, Keylock Momentary, SPST
1	1	SW1	Hole Plug, 3/4" Diam., Black, (For Keylock Hole)
1	1	J3	Assem., Harness, Power, Door Mounted
1	1	J33	Assem., Harness, Power, Side Mounted
1	1	J4-J4-J4	Assem., Harness, Seq. Display Bd./Input Bd./LED Indicator Bd.
1	1	J4A-J4A-J4A	Assem., Harness, Seq. Program Bd./Output Bd./Input Bd., Door Mtd.
1	1	J4A-J4A-J4A	Assem., Harness, Program Bd./Output Bd./Input Bd., Side Mtd.
1	1	TS10-TS15	Assem., Harness, Term Output Bd., to Valve Extension Term Bd.
1	1	J7-IN	Assem., Harness, Program Bd., to Firing Board, Door Mounted
1	1	J7-IN	Assem., Harness, Program Bd., to Firing Board, Side Mounted



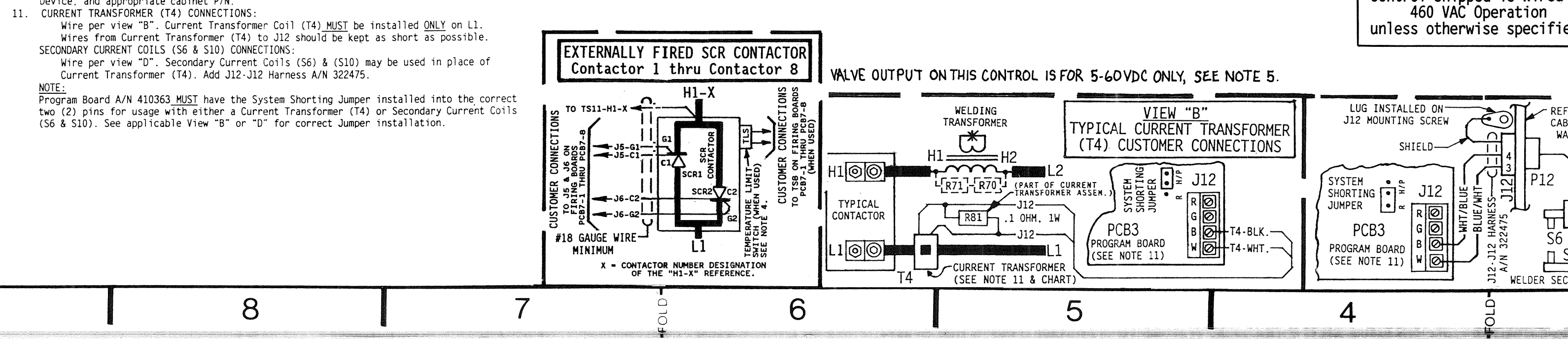
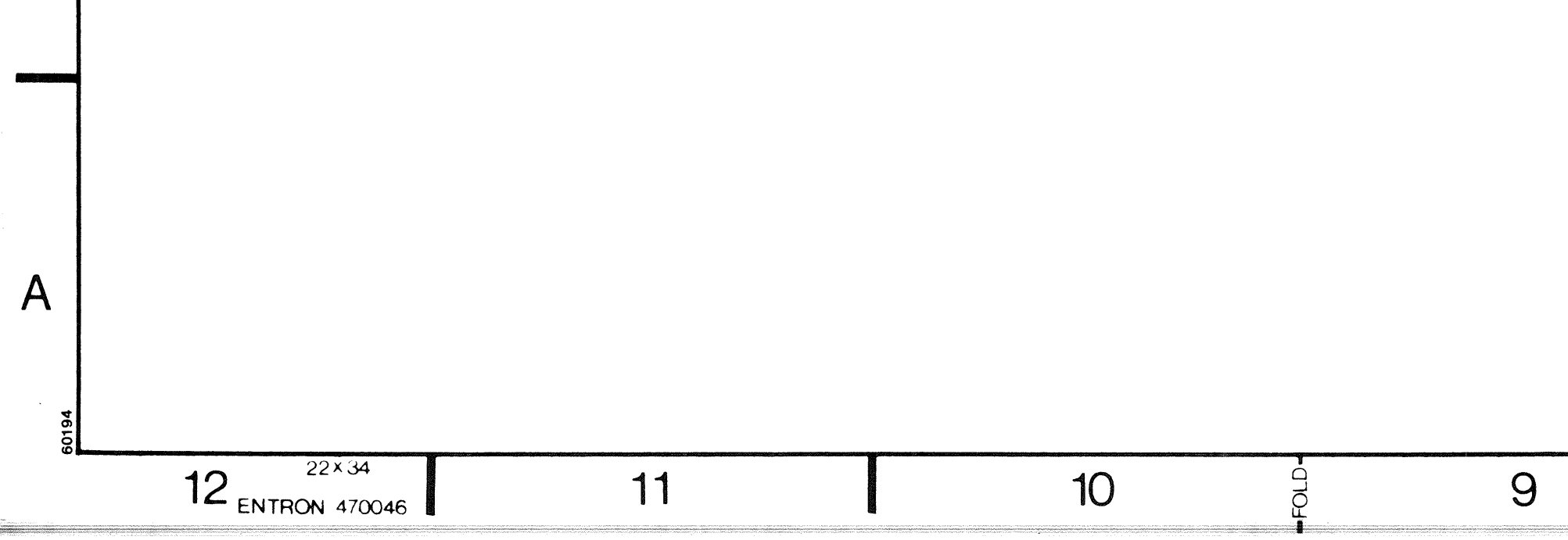
QTY.	DESIG.	PART NO.	DESCRIPTION
1	TS11	335067	Terminal Strip, 10 Pin, 20A, ("L" Cabinet)
1	TS11	600561	Assem., Terminal Strip, 10 Pin, 20A, ("D/T" Cabinet)
1	TS19	335024	Terminal Strip, 6 Pin, 20A
1	T1	310001	Transformer, Control, (Part of J3 Harness)
1	T8	311002	Transformer, Valve, 150VA, 230/460V
1	T8	311017	Transformer, Valve, 150VA, 575V
1	T8	311019	Transformer, Valve, 150VA, 380/468/415V
1	T8	311022	Transformer, Valve, 250VA
2	(T8)	311021	Transformer, Valve, 500VA
2	(T8)	325149	Assem., Wire, Valve Transformer, 22 Ga., Black



QTY.	DESIG.	PART NO.	DESCRIPTION
1	J3	322340-005	Assem., Harness, Power, Door Mounted
1	J33	322342	Assem., Harness, Power, Side Mounted
1	J4-J4-J4	322343	Assem., Harness, Seq. Display Bd./Input Bd./LED Indicator Bd.
1	J4A-J4A-J4A	322343	Assem., Harness, Seq. Program Bd./Output Bd./Input Bd., Door Mtd.
1	J4A-J4A-J4A	322344	Assem., Harness, Program Bd./Output Bd./Input Bd., Side Mtd.
1	TS10-TS15	322435	Assem., Harness, Term Output Bd., to Valve Extension Term Bd.
1	J7-IN	322346	Assem., Harness, Program Bd., to Firing Board, Door Mounted
1	J7-IN	322347	Assem., Harness, Program Bd., to Firing Board, Side Mounted

HAZARDOUS VOLTAGE
FROM ONE OR MORE SOURCES
Turn off all voltage sources before touching any components.
Electrical shock or flesh with closed severe injury or death.

QTY.	DESIG.	PART NO.	DESCRIPTION
1-8	T2	600547-005	Assem., Power Supply, Selectable 230/380/460/575V, Consisting of: 225016 Resistor, Power, Surge, 500 Ohm, 10W, (Part of 600547-005)
1-8	R1,2	325024	Assem., Wire, Surge Resistor, 18 Ga., Black, (Part of 600547-005)
1-8	PCB7-1 thru -8	410323-001	Assem., PCB, Firing Board, Cascade, (Mounted on Power Supply)
1	JIN-JOUT	322340	Assem., Harness, Firing Bd., Input to Output
1	JOUT	322330	Assem., Termination Plug, Cascade Firing Bd., (SEE NOTE 7)
1	R74	600048	Assem., Resistor, Power, 2000 Ohm, 10W, (For 575V)
1	P54	310029	Fuse Supply, 120-240VAC, 24VDC, 65A
1	F1	308010	Fuseholder, 1 Pole, Mint, 240V, HRC-1(BBS)
1	F1	307024	Fuse, Control, 1/4A, FNO-R-1/A or KDR-1/4
9	F6-14	307022	Fuse, 1 Amp, Slow Blow, 2AG, (Part of 410322)



QTY.	DESIG.	PART NO.	DESCRIPTION
1	T4	SEE CHART	Assem., Transformer, Current, 200.5, P2
1	T4	SEE CHART	Assem., Transformer, Current, 500.5, P3
1	T4	SEE CHART	Assem., Transformer, Current, 1000.5, P10
1	S6	600667	Assem., Secondary Current, 6" Coil Rogowski
1	S10	600668	Assem., Secondary Current, 10" Coil Rogowski
1	J12-J12	324715	Assem., Harness, Secondary Current, Rogowski Coil
1	J12	346004	Lug, Screw, Chassis GND, 5/16" Bolt to 2/0 Wire
1	PCB2	410329	Assem., PCB, Terminal Strip Input Bd., Cascade
1	PCB4	410322-002	Assem., PCB, Terminal Strip Output Bd., W/D Outputs, Cascade Plate Mounting, Terminal Strip Input & Output Boards
1	510247	510257	Cabinet, Control, Style "D/T"
1	510257	510257	Cabinet, Control, Style "LS/LF"
1	700194	700189	Manual, EN1000/EN1001 Cascade
1	700189	700189	Application Note, DC Valve Output EN1000/EN1001 EXT SCR CONTROL
1	421451	421451	Logic Diagram, EN1001 Cascade
1	421438-017	421438-017	Wiring Diagram, EN1001-CSR, W/D Valve Output Cascade