

**DANGER**  
 VOLTAGE / FLASH HAZARD  
 Turn off all voltage sources before removing or replacing fuse.

**DANGER**  
 HAZARDOUS VOLTAGE  
 Turn off all voltage sources before touching any components.

**DANGER**  
 HAZARDOUS VOLTAGE FROM ONE OR MORE SOURCES  
 Turn off all voltage sources before touching any components. Electrical shock or flash will cause severe injury or death.

**NOTICE**  
 FOR SERVICE ON THIS CONTROL  
 Contact Your Machine Dealer Or  
 ENTRON CONTROLS LLC.  
 DIRECTLY: (864) 416-0190  
 601 HIGH TECH COURT  
 GREER, SC 29650  
 FAX# (864) 416-0195

**WARNING**  
 !  
**CONNECTOR P6 IS USED FOR RPP2 ONLY!**  
 Voltages on this connection can damage devices other than RPP2 programming pendant.

REV	AUTH	DESCRIPTION	DATE	CHK'D BY	DATE
—	—	ORIGINAL RELEASE	—	—	—
H	DCS 42215	Removed Palm Control. Add Customer connections.	DCS 42215	DCS 11/19/13	DCS 11/19/13
G	DCS 11/19/13	ADDED L1 CABINET. ADDED GF WIRING	DCS 11/19/13	DCS 12/21/13	DCS 12/21/13
F	DCS 12/21/13	RPP2 LABEL & WARNING.	DCS 12/21/13	DCS 6/9/11	DCS 6/9/11
F	DCS 6/9/11	CHG'D P/N 326062 TO 326067. CHG'D ROUTING OF P/N 326063 & 326067. CHG'D P/N LABEL ART.	DCS 6/9/11	DCS 2/10/12	DCS 2/10/12
E	DCS 2/10/12	CHANGED EN6021 KIT PARTS LIST	DCS 2/10/12	DCS 12/19/11	DCS 12/19/11
D	DCS 12/19/11	CHANGED LENGTH OF PIN 900045 TO 4 FT. IN CONTACTOR BOM	DCS 12/19/11	DCS 6/9/11	DCS 6/9/11
C	DCS 6/9/11	ADDED PG 2 WITH BOMS & INDIVIDUAL CONTACTOR VIEWS.	DCS 6/9/11	DCS 12/13/10	DCS 12/13/10
B	DCS 12/13/10	CHANGES TO POWER SUPPLY TERMINAL STRIP	DCS 12/13/10	DCS 10/12/10	DCS 10/12/10
A	DCS 10/12/10	CHG'D CABINET DESIGN TO 'N'; CHANGES TO CPU, POWER SUPPLY, REAR PANEL LAYOUT	DCS 10/12/10	—	—

**ENTRON**

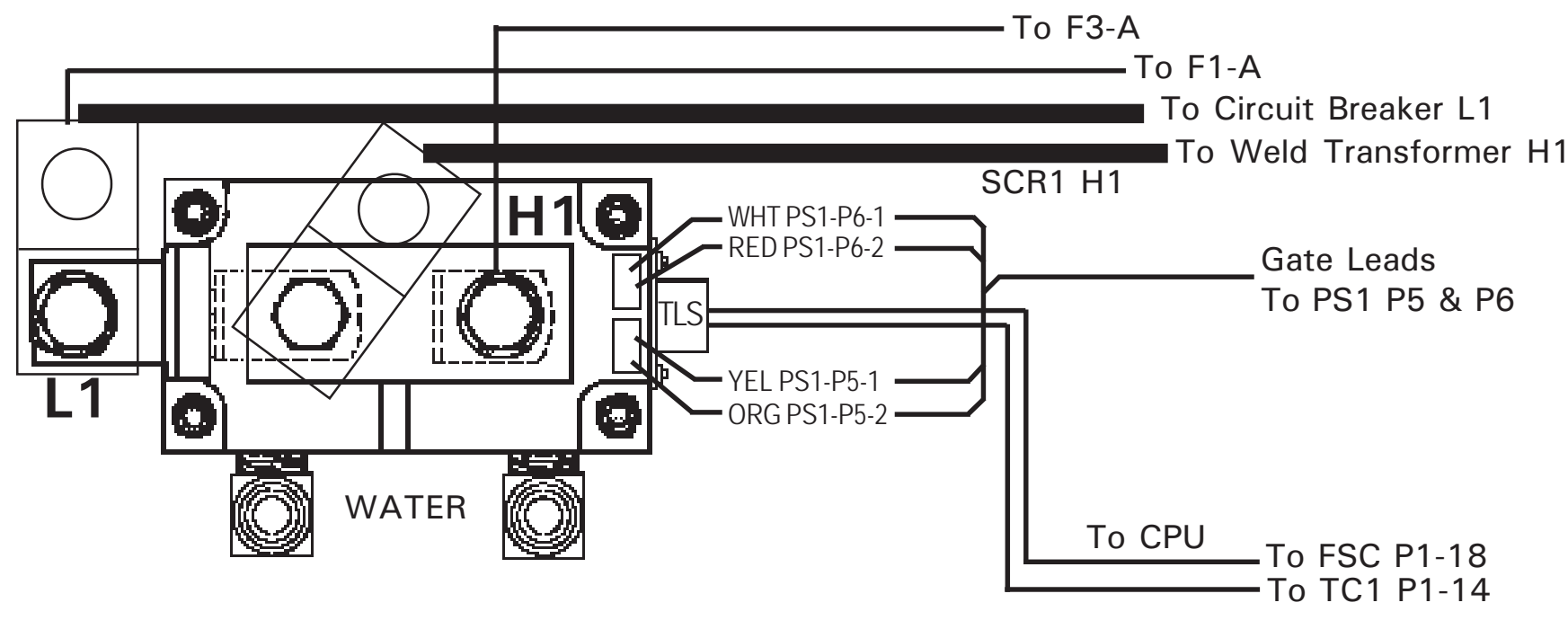
SCALE	DATE	DRAWN BY	CHK'D BY	APPROVED BY
none	8/6/10	DCS	DCS	DCS
TOLERANCE UNLESS SPECIFIED				
ANGLES:	± 1/2°	REV LTR	APPROVED BY	REVISED
DECIMALS:	± 0.10	DCS	DCS	DCS
FRACTIONS:	± 1/64	DATE	4/22/15	—

**Wiring Diagram, EN6021, 'N' & 'L' Cabinets**

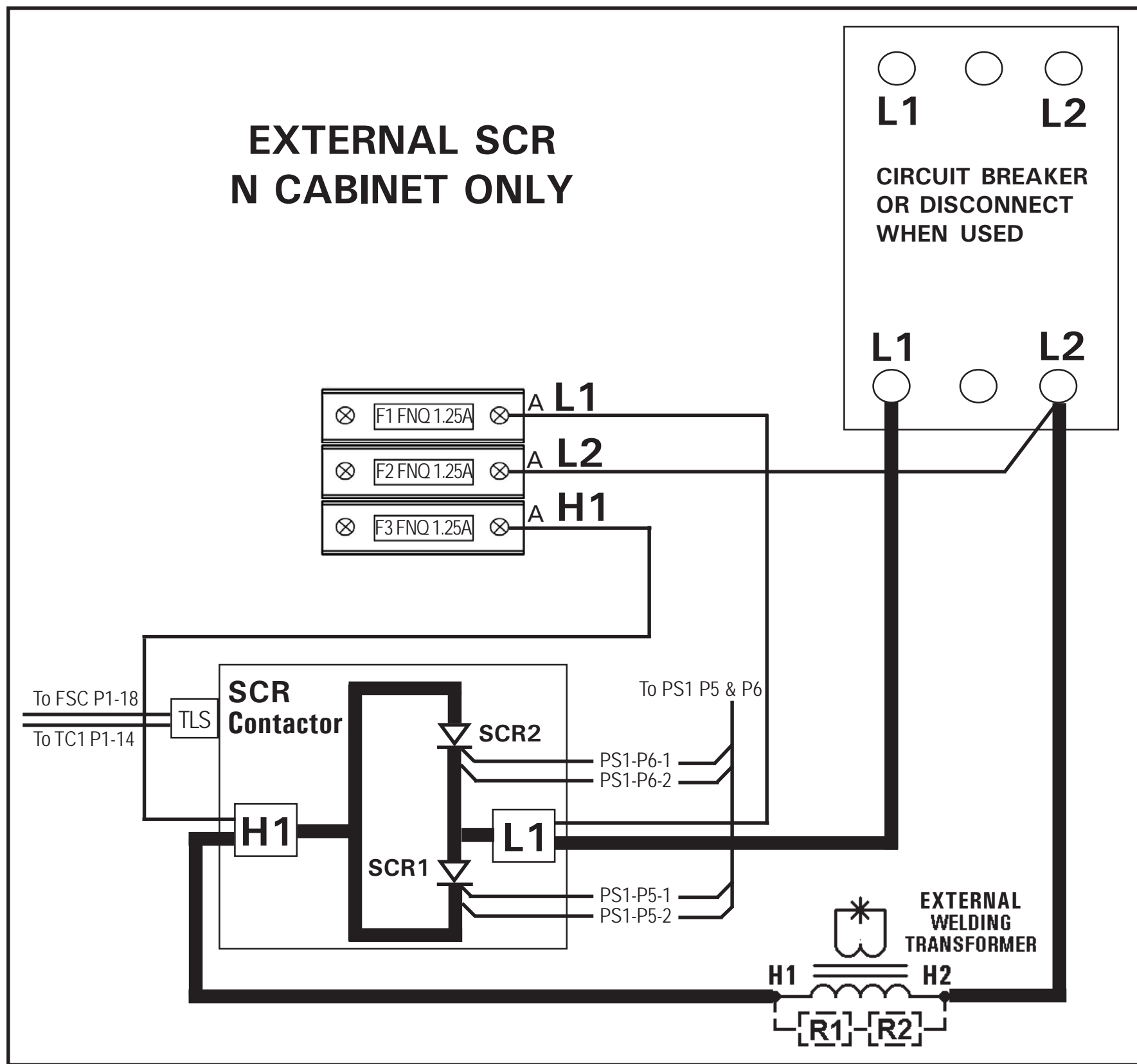
NEXT ASSUMED ON	DRAWING NUMBER	REV
EN6021 SERIES	421505	H

Pg 1 of 2

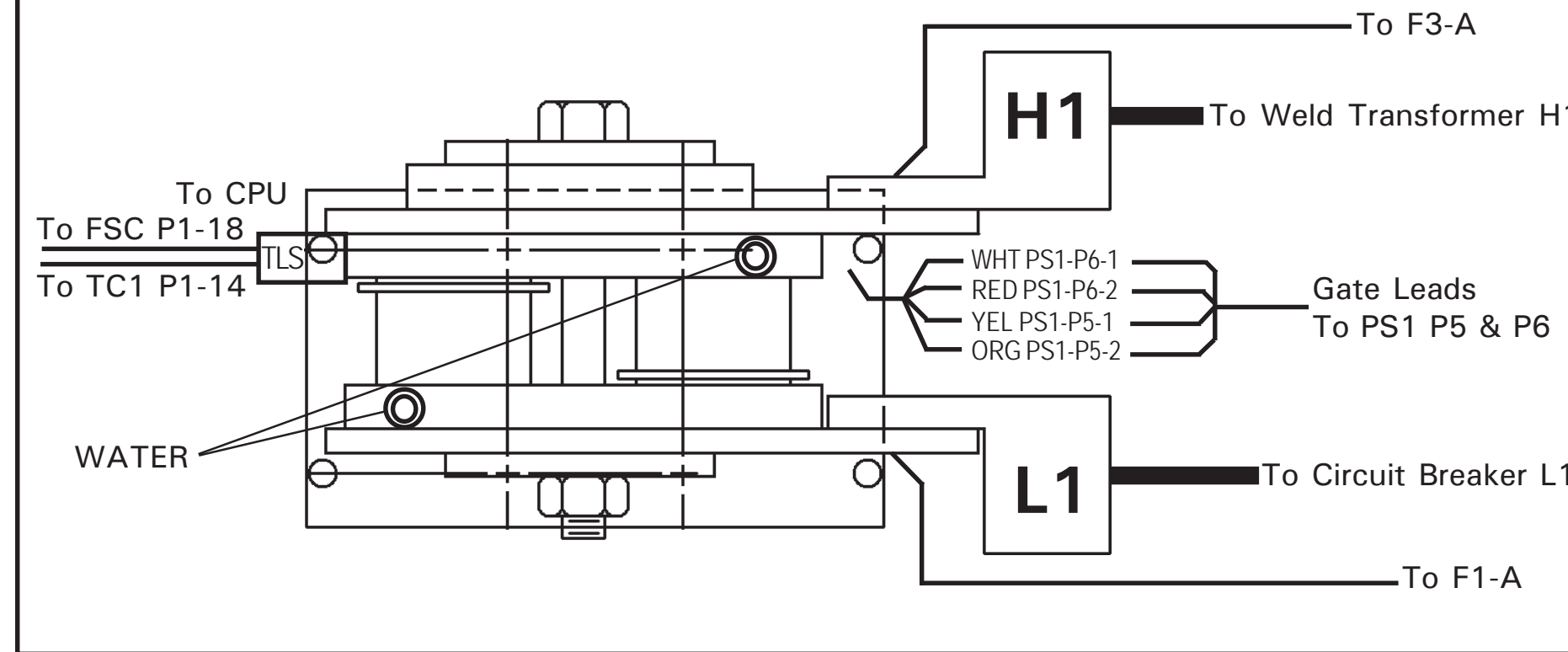
### 1200A CONTACTOR ASSEMBLY P/N 600598-007



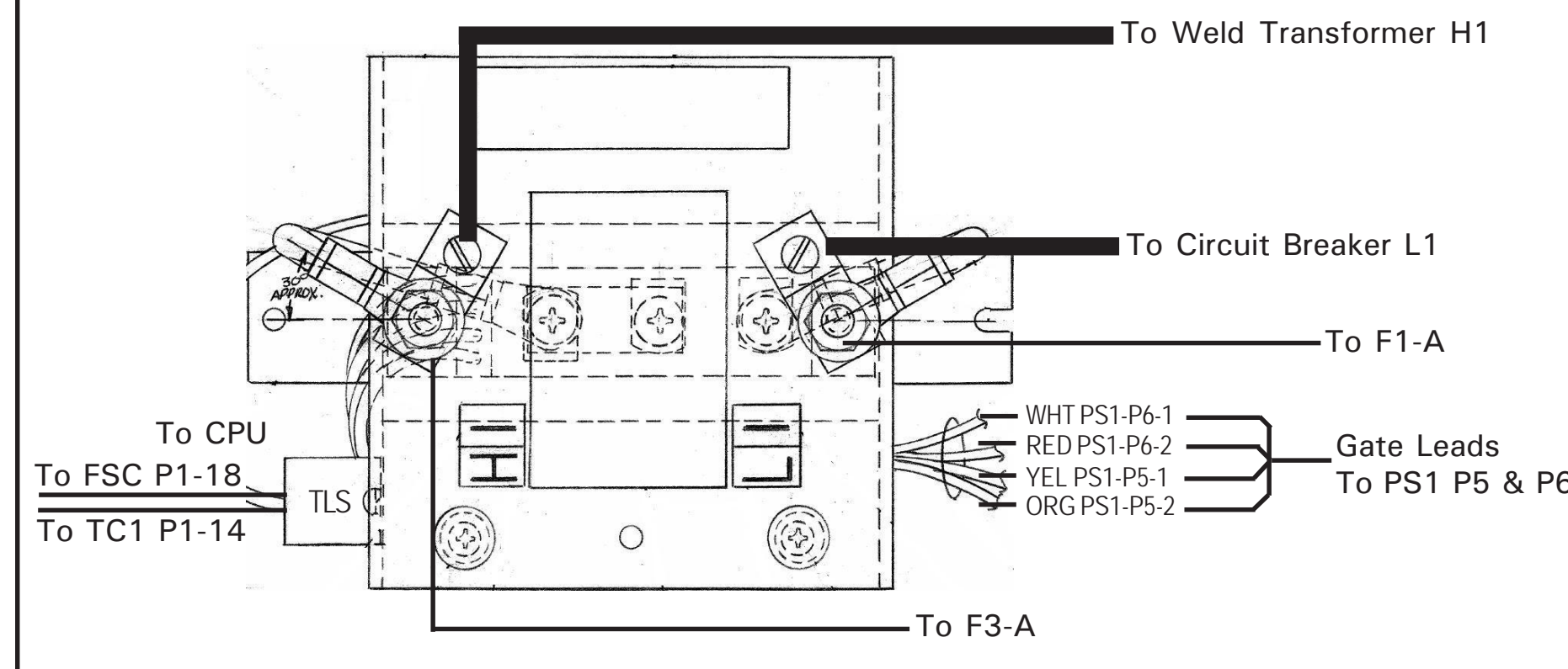
### EXTERNAL SCR N CABINET ONLY



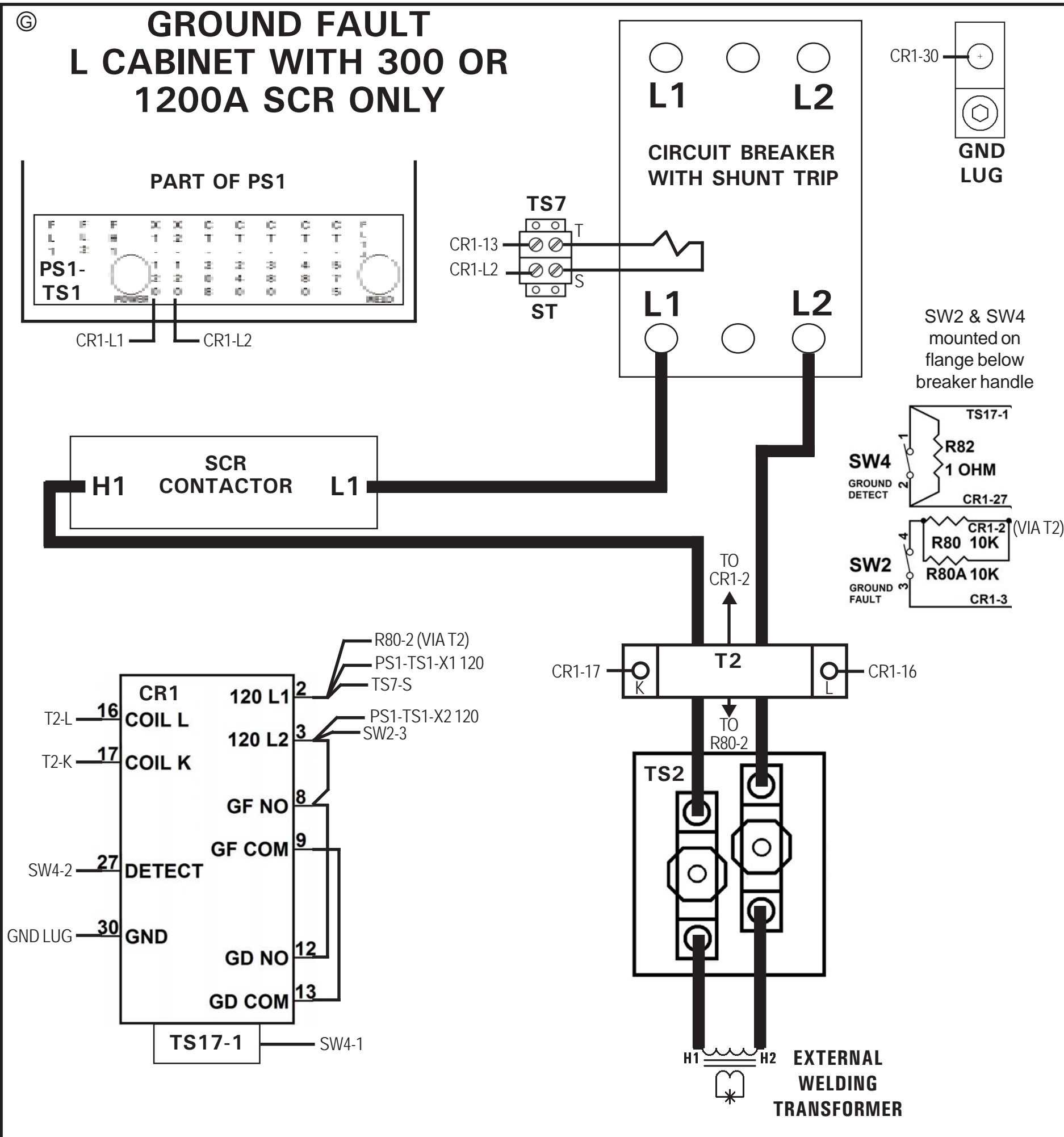
### 1800/2200/3200A CONTACTOR ASSEMBLIES P/N 600533-005/-003/-014



### 150/300A AIR-COOLED CONTACTOR ASSEMBLIES P/N 600613/600520



### GROUND FAULT L CABINET WITH 300 OR 1200A SCR ONLY



L CAB QTY	N CAB QTY	Part #	Description
<b>1200A Contactor Mounting</b>			
1	1	600598-007	Assembly, 1200A Contactor, Heat Sink w/90° Hose Barbs
1	1	525136	Mounting Bracket for 1200A Contactor
2	2	600179	Assembly, Water Fitting, 3/8" Hose
4	4	566010	Hose Clamps, 9/16 min ID x 1-1/16 max OD
4 ft.	4 ft.	900045	Hose, 3/8 ID x .70 max OD
<b>1800/2200/3200A Contactor Mounting</b>			
1 or 1 or 1	1 or 1 or 1	600533-005	Assembly, 1800A SCR Contactor
1	1	600533-003	Assembly, 2200A SCR Contactor
1	1	600533-014	Assembly, 3200A SCR Contactor
1	1	525136	Mounting Bracket for 1800/2200/3200A Contactor
2	2	600179	Assembly, Water Fitting, 3/8" Hose
4	4	566010	Hose Clamps, 9/16 min ID x 1-1/16 max OD
4 ft.	4 ft.	900045	Hose, 3/8 ID x .70 max OD
<b>150/300A Contactor Mounting</b>			
N/A	1 or 1	600613	Assembly, 150A SCR Contactor
1	1	600520	Assembly, 300A SCR Contactor
1	1	525035-001	Mounting Bracket for 150/300A Contactor
2	2	565001	Hole Plug, 1" diam., Black
<b>External SCR Contactor</b>			
N/A	2	565001	Hole Plug, 1" diam., Black

L CAB QTY	N CAB QTY	Part #	Description
<b>CIRCUIT BREAKER PARTS LIST</b>			
<b>Without Circuit Breaker</b>			
1	1	510249	Cover Plate Assem., CB Operator Opening
<b>200A Circuit Breaker</b>			
1	1	309001-007	Circuit Breaker, 2 pole, 600V, 200A
1	1	309028	Flange Operator, C/B, 200A — Consisting of: P/N 309066-003 — Vertical Handle (qty. 1) P/N 309092 — Operator Mechanism (qty. 1) P/N 309081-003 — Connecting Rod (qty. 1)
<b>400A Circuit Breaker</b>			
1	1	309002-007	Circuit Breaker, 2 pole, 600V, 400A
1	1	309029	Flange Operator, C/B, 400A — Consisting of: P/N 309066-003 — Vertical Handle (qty. 1) P/N 309071-003 — Operator Mechanism (qty. 1) P/N 309081-003 — Connecting Rod (qty. 1)
<b>Primary Wiring</b>			
N/A	1 ft.	900009	Cable, #4 AWG, Copper, 600V for 150A Contactor
1 ft.	1 ft.	900050	Cable, #4 AWG, Copper, 600V for 300A Contactor
1 ft.	1 ft.	900080	Cable, #4/0 AWG, Copper, 600V for 1200A Contactor
1 ft.	1 ft.	900114	Cable, 350 MCM, Copper, 600V for 1800A Contactor
1 ft.	1 ft.	900100	Cable, 500 MCM, Copper, 600V for 2200A Contactor
2 ft.	2 ft.	900114	Cable, 350 MCM, Copper, 600V for 3200A Contactor

QTY	Part #	Description
2	225016	Surge Resistor, 100W, 500 ohm, 10%
3	307025	Fuse, 1-1/4A
3	308010	Fuseholder, One Pole
1	322568	Assembly, P12 Harness, 26 Conductor Ribbon
1	326063	Cable Assembly, 6", DB9 Female/Female
2	331193	Jack Screw, 433
1	331194	Adapter, DB9 Female/Female
4	331208	Insertion Bridge Jumper
1	346004	Lug, 5/16" Bolt to 2/0 Wire
1	600755	Assembly, CPU
1	600756	Assembly, Power Supply
3	No P/N	Label, Fuse, FNQ-R-1 1/4 or KLDR-1 1/4
1	460103	Label, For Service Contact
1	460142	Label, Danger, Hazardous Voltage
1	460143	Label, Danger, Voltage/Flash Hazard
1	460144	Label, Danger, Voltage Hazard Earth GND
1	460145	Label, Caution, Water Hose Burst Hazard
1	460146	Label, Warning, Hazardous Voltage
1	460170	Label, Caution, Do Not Pinch Wire
1	460335	Label, ENTRON Logo
1	460342	Label, Warning, Programmed Control Devices
1	460393	Label, EN6021
1	700221	EN6021 Manual

L CAB QTY	N CAB QTY	Part #	Description
<b>CONTROL PARTS LIST</b>			
1	1	510257	Cabinet, NEMA 12 "L"
1	1	510308	Cabinet, NEMA 12 "N"
<b>Rear Panel</b>			
1	1	600755	Assembly, CPU
4	4	331208	Insertion Bridge Jumper
1	1	600756	Assembly, Power Supply
2	2	225016	Surge Resistor, 100W, 500 ohm, 10%
3	3	307025	Fuse, 1-1/4A
3	3	308010	Fuseholder, One Pole
1	1	322568	Assembly, P12 Harness, 26 Conductor Ribbon
1	1	322569	Harness Assembly, 24 VDC
1	1	322570	Harness Assembly, Power, N Cabinet
1	1	322570-001	Harness Assembly, Power, L Cabinet
1	1	460142	Label, Danger, Hazardous Voltage
1	1	460143	Label, Danger, Voltage/Flash Hazard
3	3	No P/N	Label, Fuse, FNQ-R-1 1/4 or KLDR-1 1/4
<b>Ground Lug</b>			
1	1	346004	Lug, 5/16" Bolt to 2/0 Wire
1	1	460144	Label, Danger, Voltage Hazard Earth GND
<b>RPP2 Bulkhead</b>			
1	1	326063	Cable Assembly, 6", DB9 Male to Male, 1:1
2	2	331193	Jack Screw, 433
1	1	331194	Adapter, DB9 Female/Female
1	1	460416	Label, RPP2 Connector
<b>Drain/Vent Insulator</b>			
1	1	341055	Insulator, Drain/Vent for "N" Cabinet
4	4	557067	1/2-13 Hex Nut, Brite
4	4	557050	5/16-18x1 Carr. Bolt, Brite
4	4	557125	5/16-18 Hex Nylon Lock Nut w/Washer
<b>Labels, Left Side</b>			
1	1	460103	Label, For Service Contact
1	1	460170	Label, Caution, Do Not Pinch Wire
<b>Door</b>			
1	1	460145	Label, Caution, Water Hose Burst Hazard
1	1	460146	Label, Warning, Hazardous Voltage
1	1	460342	Label, Warning, Programmed Control Devices
1	1	460335	Label, ENTRON Logo
1	1	460393	Label, EN6021
3	3	565015	Hole Plug, 30 mm, Black
1	1	700221	EN6021 Manual

QTY	Part #	Description
1	600695	Assembly, Ground Fault Relay, 60Hz, Weldsafe 5000
2	211035	Resistor, Carbon, 1W, 10%, 10K
1	210108	Resistor, Metal Oxide, 1W, 5%, 1 ohm
1	309521	Ground Fault Current Coil
1	335017	Terminal Block, 2 Pole, 20A
1	318001-002	5" of 318001 Din Rail
2	318030	End Stop, Din Rail
1	318033	Terminal Block, 30A, 600V, Din Rail Mount
1	341040	Insulator
4	346002	Screw Lug, 5/16 Bolt
1	600649	Assembly, Glastic/Insulator — Consisting of one each of: 341045 — Insulator, 1/8" Polyethylene 341040-001 — Insulator Standoff, made from 341040 557086 — Screw, 5/32 x 1/2 PHSTS
1	302024	Switch Assem, Oil Tight, Push Button, Red, N/O, 22mm Consists of: 302022, 302023, 302019
1	302025	Switch Assem, Oil Tight, Push Button, Red, N/C, 22mm Consists of: 302020, 302023, 302019

REV	AUTH	DESCRIPTION	DATE	CHK'D BY	DATE
—	—	ORIGINAL RELEASE	—	—	—

**ENTRON**

SCALE: DATE: DRAWN BY: CHK'D BY: APPROVED BY:

none 8/6/10 DCS DCS DCS

TOLERANCE UNLESS SPECIFIED: REVISIONS:

ANGLES: ± 1/2° REV: HTR APPROVED BY: DCS

DECIMALS: ± .010 DATE: 4/22/15

FRACTIONS: ± 1/64

**Wiring Diagram, EN6021, 'N' & 'L' Cabinets**

NEXT ASSUMED ON: DRAWING NUMBER: REV: H

EN6021 SERIES 421505