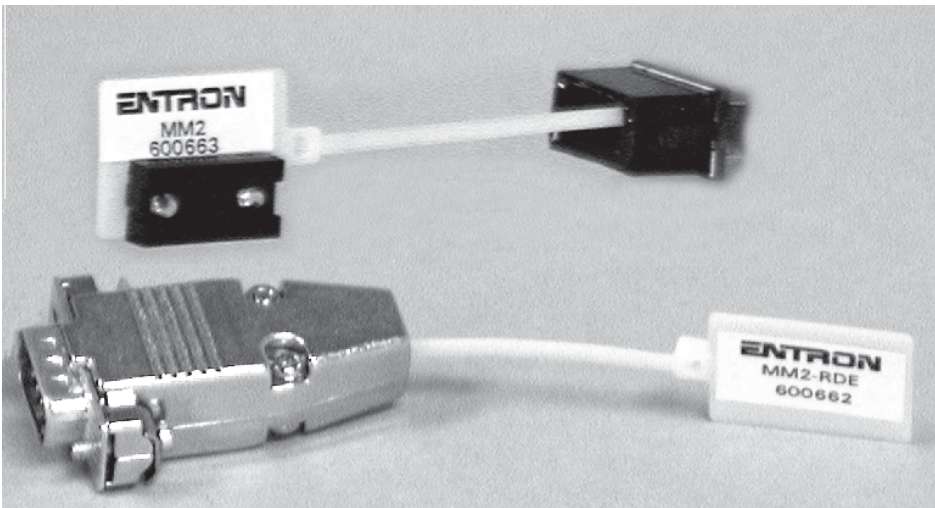


# ENTRON™

## MM2/MM8 MEMORY MODULE

Provides Backup for all Data of EN1000 Series Controls



MM2 and MM8 Memory Modules are designed as backup devices for any EN1000 Series Control or to copy/download all data from one control to another.

MM2 may be used with any EN1000 or EN1001 Single Function Control.

MM8 is designed for use with any EN1000 or EN1001 Cascade Control.

### *Two versions:*

- **MM2-RDE/MM8-RDE** for controls with RDE option
- **MM2/MM8** for all other controls

### Features

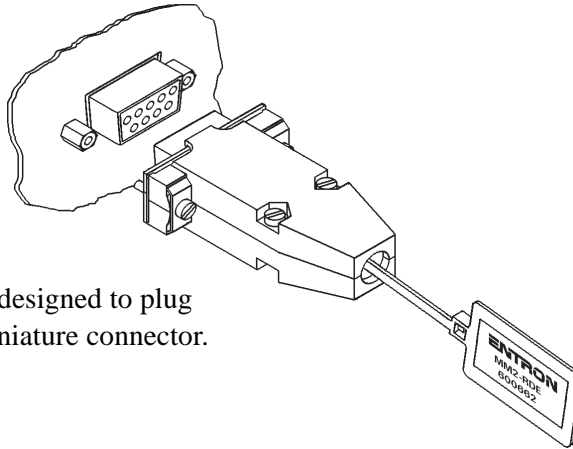
- Ideal for long-term storage and backup of all Schedule and Extended Functions data.
- Very fast backup operation with Checksum Error detection.
- Easy-to-use Front Panel push button on the control will copy or store all data from the control to the Memory Module.
- Easy-to-use Front Panel push button on the control will download or restore all data from Memory Module to the control.
- Automatically stores or restores all programmable Schedule and Extended Functions data. Copies all data from one control to another.
- The Marker Tag is provided to record date, Machine Identification information, and other necessary details.
- The 16 pin socket is provided on the Marker Tag to protect the pins of the MM2/MM8 device when it is not plugged into the Control Board.
- MM2/MM8 devices are based on EEPROM memory chip which does not need battery for memory retention.

### Advantages

- Reduces Weld Control programming time in critical areas.
- Spare Control Boards can be reprogrammed quickly by simply downloading backed-up data from Memory Module unit.
- Used to store and restore different job schedules by using one or more Memory Modules and simply cloning all programmed data.
- Very useful tool for controls where multiple schedules and multiple valves are used. All data may be copied to another machine for operation duplication.

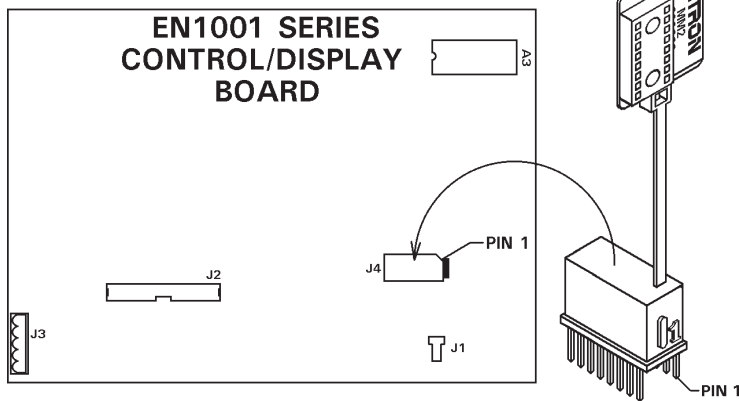
# MM2/MM8 MEMORY MODULE

## Provides Backup for all Data of EN1000 Series Controls

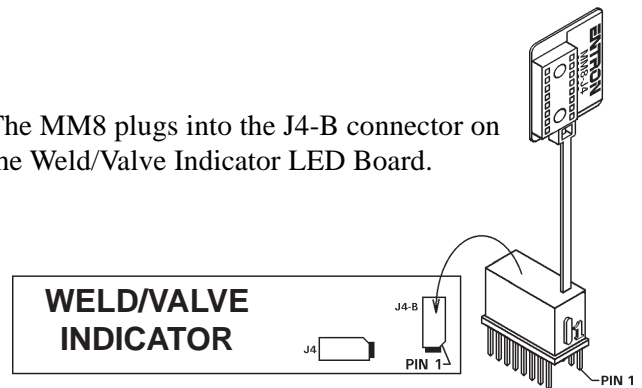


The MM2-RDE/MM8-RDE is designed to plug into an external 9 pin D-Subminiature connector.

The MM2 is designed to plug directly into the internal J4 connector on the Control Board.



The MM8 plugs into the J4-B connector on the Weld/Valve Indicator LED Board.



### Required Equipment and Firmware:

**MM2** EN1000 or EN1001 Single Function Control with PROM firmware version 619016-001R or later

**MM8** EN1000 Cascade Control with Program Board version 410321 and PROM firmware version 619011-002A or later  
EN1001 Cascade Control with Program Board 410363 and PROM firmware version 619044-001B or later

### ENTRON Part Numbers:

600663	<b>MM2</b>	EN1000/1001 Single Function Controls
600662	<b>MM2-RDE</b>	EN1000/1001 Single Function Controls with RDE option
600663-001	<b>MM8</b>	EN1000/1001 Cascade Controls
600662-001	<b>MM8-RDE</b>	EN1000/1001 Cascade Controls with RDE option

Distributed by:

**ENTRON**<sup>™</sup>

ENTRON Controls, LLC.  
1402 S. Batesville Road  
Greer, SC 29650  
(864) 416-0190  
FAX (864) 416-0195  
www.entroncontrols.com  
e-mail: info@entroncontrols.com

**RWMA**<sup>®</sup>  
MEMBER